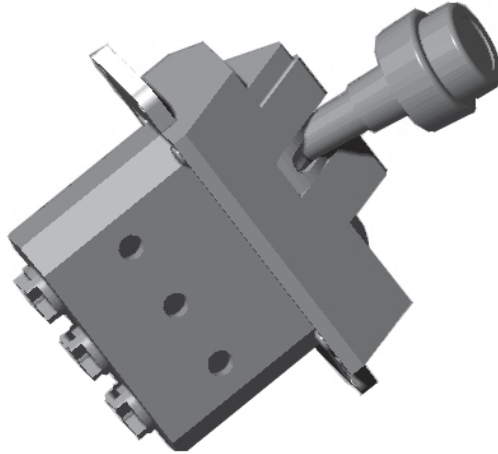


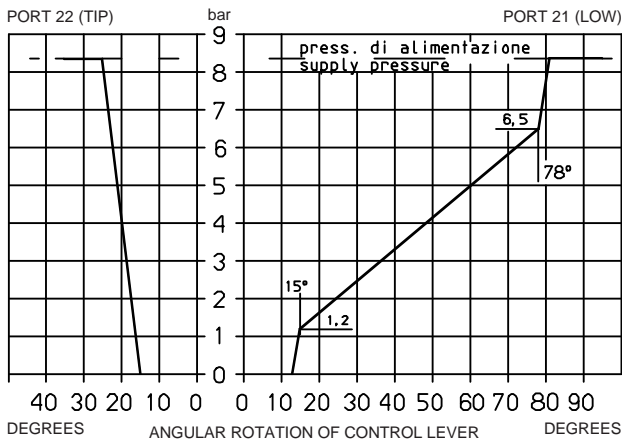
AIR CONTROL VALVE WITH VARIABLE DESCENT SPEED

THREE-WAY

4.3.2.022.XX.09



OUTLET PRESSURE



TECHNICAL SPECIFICATION

- Operating pressure = max. 12 bar
- Operative temperature = -30° / +90° C
- Nominal diameter = ø 4 mm
- Operating voltage = 12/24 V cc
- Contacts = normally open
- Contacts make pressure = 3 - 4 bar

4.3.2.022.A.XX.09

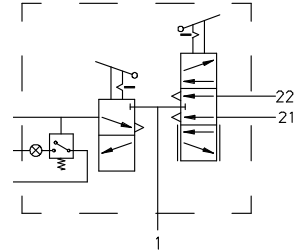
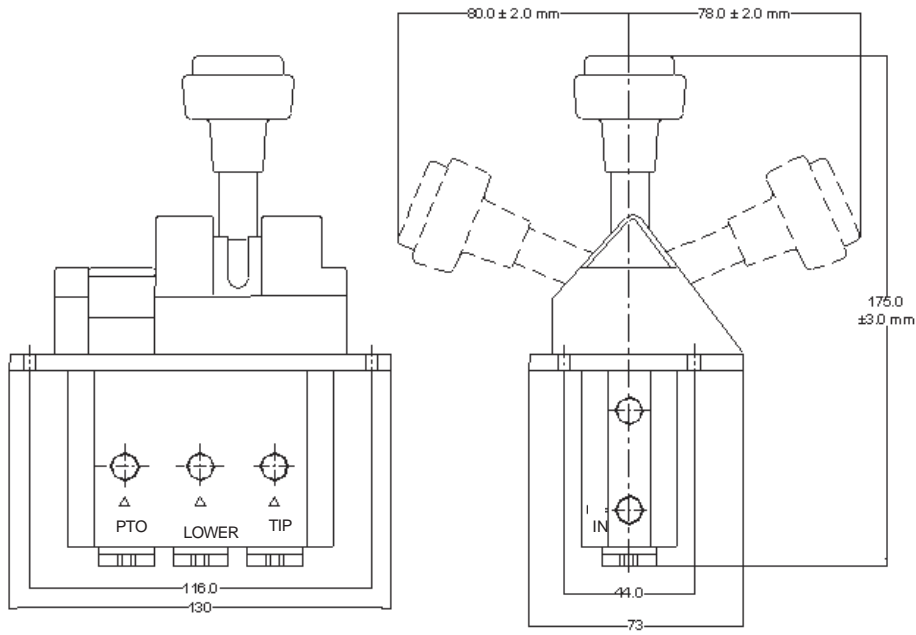
BASIC SERIAL NUMBER _____

TYPE _____

- 16** = THREE-WAY RAISING, LOWERING AND PTO CONTROL
- 18** = THREE-WAY RAISING, LOWERING AND PTO CONTROL, WITH AUTOMATIC PTO DISENGAGEMENT

CODE 4.3.2.022.A.XX.09 - 3-WAY

PULL THE LEVER TO OPERATE



PORT SIZE
1/8" GAS
1/8" CONNECTORSTIGHTENING
TORQUE 14 - 16 Nm

PRESSURE SWITCH
CONNECTION AND
WARNING LIGHT,
MALE TERMINALS
6.3x0.8

SPARE PARTS

CODE	DESCRIPTION
09900084A00	Light 24V
299010BR18	Brass Pressure Switch 1/8"G
SKAC004	Complete Seal Kit