



Hydraulic Winch

15000lb Planetary Winch



- ◆ One stage planetary winch entirely bathed in oil
- ◆ Rated for 6800kg
- ◆ High line speed
- ◆ Automatic safety brake
- ◆ Hydraulic over center valve standard

Order Code

EPH X 6800

EPH X 6800A

Description

15,000 lb Planetary Winch with Manual Clutch

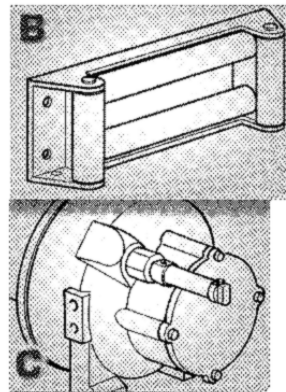
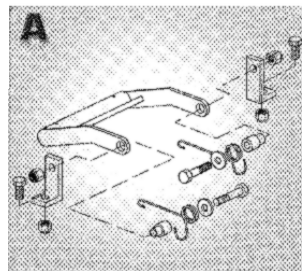
15,000 lb Planetary Winch with Air Clutch

Direction of Rotation viewed from motor end

A = Clockwise

B = Anticlockwise

ACCESSORIES



A Galvanised level winder

B Heavy-duty galvanised roller fairlead

C Air cylinder shifter

Wire Rope & Hook (12mm x 35mt)

ORDER CODE - LW/EPH

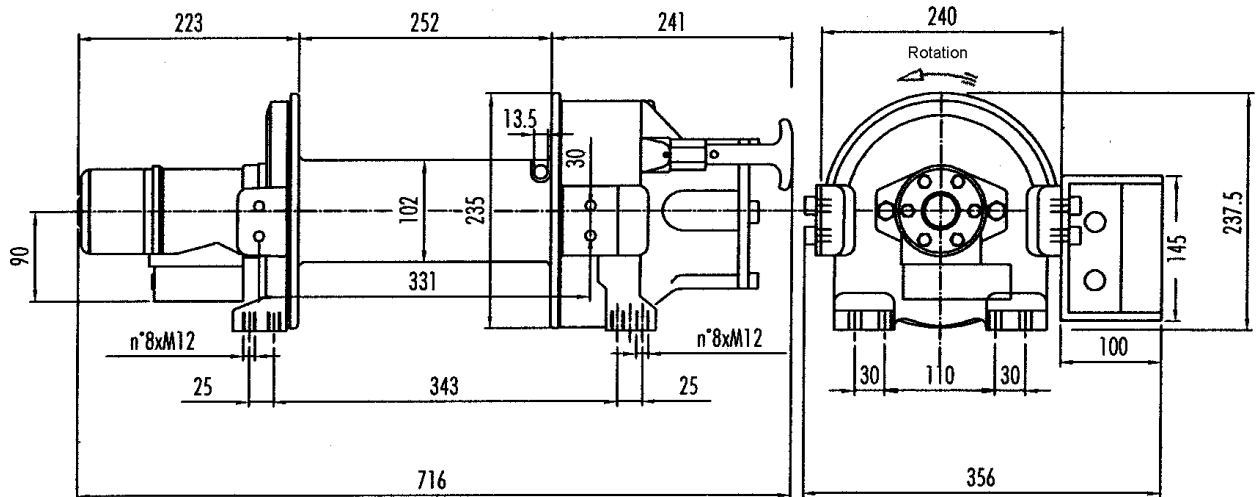
ORDER CODE - RF/EPH5200

ORDER CODE - AK/EPH

ORDER CODE - B2070/12MMX35MT/EH



Dimensional Data



EPH X 6800 / EPH X 6800A *air shift option same dimensions

Technical Data

Drum	Weight without cable	Wire rope capacity	Max.wire rope capacity	Recommended Wire Rope Grade
	Kg	12mm	12mm	2070 35 x 7 wire inner core
EPH X 6800	51	35	40	

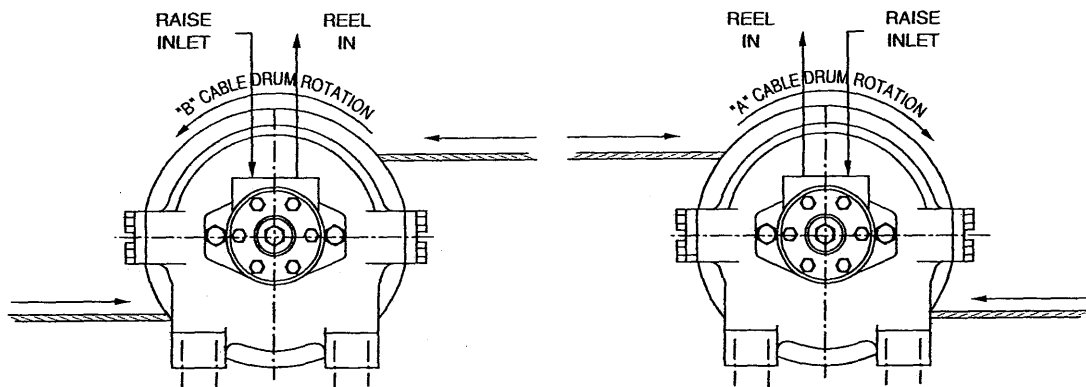
Maximum Pressure	160Bar	Maximum Flow	60 Lt.min
------------------	--------	--------------	-----------

Ratio	Wire Rope Size	Layer	Line Pull	Oil Supply Lt/Min	Drum Revolution RPM	Line Speed Mt/min				
	(mm)		(Kg)			Layers				
5.3 : 1	12	1	6800	40	19.8	1	2	3	4	5
		2	5600			7.1	8.6	10.1	11.6	13.0
		3	4750			8.7	10.6	12.5	14.3	16.1
		4	4150			10.4	12.7	14.9	17.0	19.3
		5	3600							

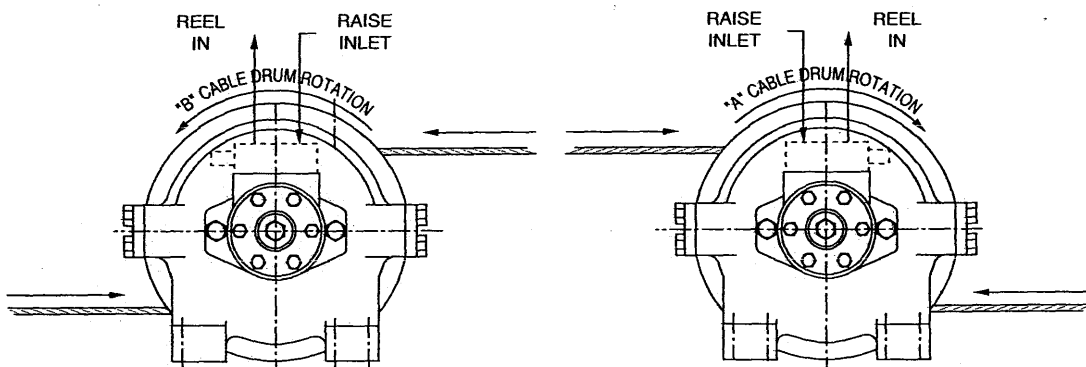
WARNING: Designed for TOWING ONLY. Not designed for transporting people or lifting.

Hydraulic Motor Linking

INSTALLATION WITHOUT OVER-CENTRE VALVE



INSTALLATION WITH OVER-CENTRE VALVE



⚠ WARNING

Do not reverse cable rotation, it may damage winch gears.