



Hydraulic Winch

12000lb Planetary Winch

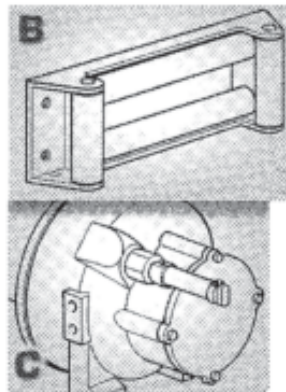
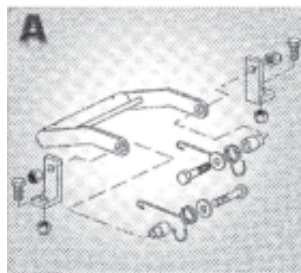


- ◆ One stage planetary winch entirely bathed in oil
- ◆ Rated for 5400kg
- ◆ High line speed
- ◆ Automatic safety brake
- ◆ Hydraulic over center valve standard

Order Code	Description
EPH X 5200	12,000 lb Planetary Winch with Manual Clutch
EPH X 5200A	12,000 lb Planetary Winch with Air Clutch

Direction of Rotation viewed from motor end
A = Clockwise
B = Anticlockwise

ACCESSORIES



A Galvanised level winder

B Heavy-duty galvanised roller fairlead

C Air cylinder shifter

Wire Rope & Hook (12mm x 35mt)

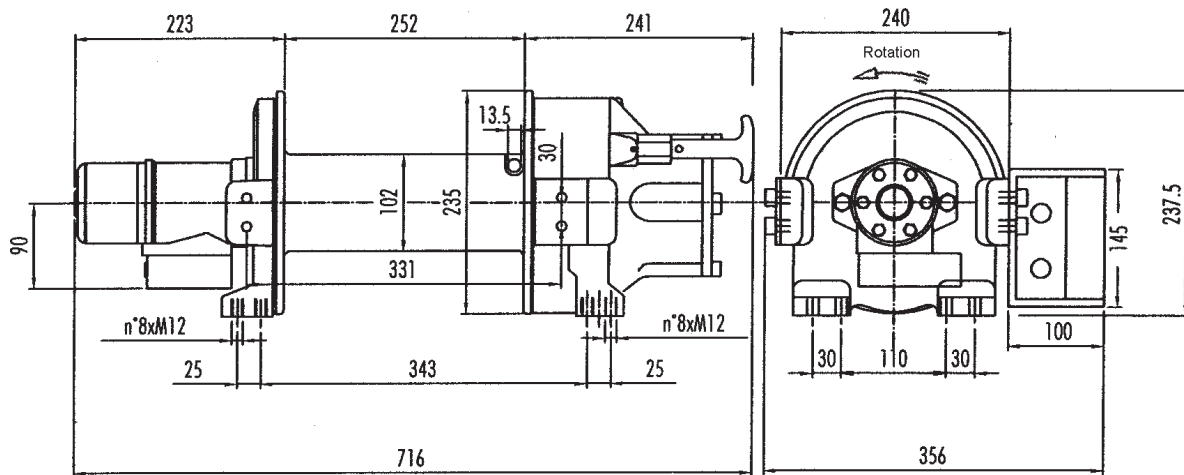
ORDER CODE - LW/EPH

ORDER CODE - RF/EPH5200

ORDER CODE - AK/EPH

ORDER CODE - B2070/12MMX35MT/EH

Dimensional Data



EPH X 5200 / EPH X 5200A *air shift option same dimensions

Technical Data

Drum	Weight without cable	Wire rope capacity	Max.wire rope capacity	Recommended Wire Rope Grade
	Kg	12mm	12mm	
EPH X 5200	49	35	40	2070 35 x 7 wire inner core

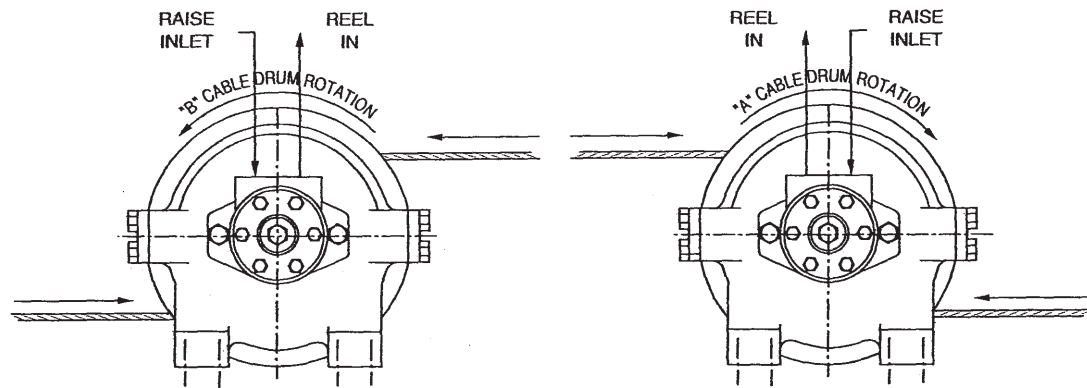
Maximum Pressure	130Bar	Maximum Flow	60 Lt.min
-------------------------	--------	---------------------	-----------

Ratio	Wire Rope Size	Layer	Line Pull	Oil Supply	Drum Revolution	Line Speed Mt/min						
	(mm)		(Kg)			Layers						
5.3 : 1	12	1	5400	Lt/Min	RPM	1	2	3	4	5		
		2	4450			40	19.8	7.1	8.6	10.1	11.6	13.0
		3	3750			50	24.5	8.7	10.6	12.5	14.3	16.1
		4	3300			60	29.2	10.4	12.7	14.9	17.0	19.3
		5	2800									

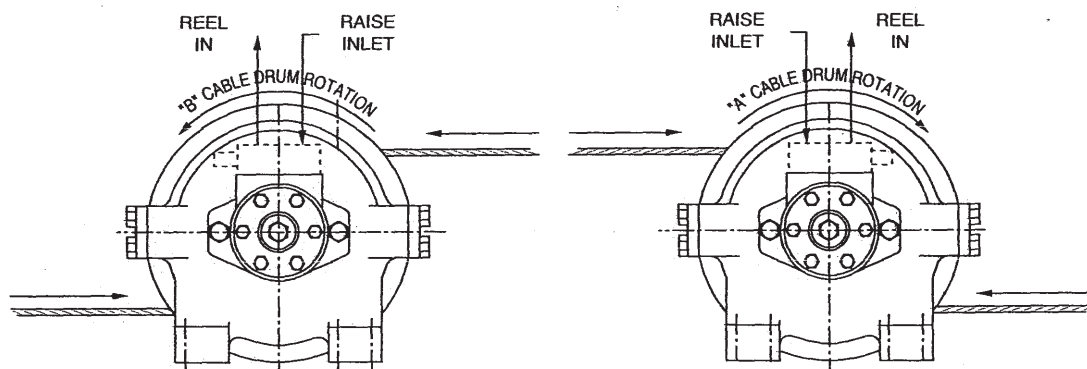
WARNING: Designed for TOWING ONLY. Not designed for transporting people or lifting.

Hydraulic Motor Linking

INSTALLATION WITHOUT OVER-CENTRE VALVE



INSTALLATION WITH OVER-CENTRE VALVE



⚠ WARNING

Do not reverse cable rotation, it may damage winch gears.