



Hydraulic Winch

10000lb Planetary Winch

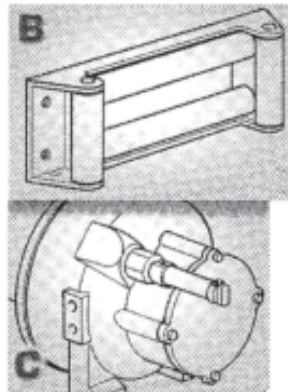
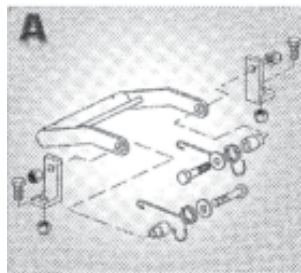


- ◆ One stage planetary winch entirely bathed in oil
- ◆ Rated for 4500 kg
- ◆ High line speed
- ◆ Automatic safety brake
- ◆ Hydraulic over centre valve standard

Order Code	Description
EPH X 4500	10,000 lb Planetary Winch with Manual Clutch
EPH X 4500A	10,000 lb Planetary Winch with Air Clutch

Direction of Rotation viewed from motor end
A = Clockwise
B = Anticlockwise

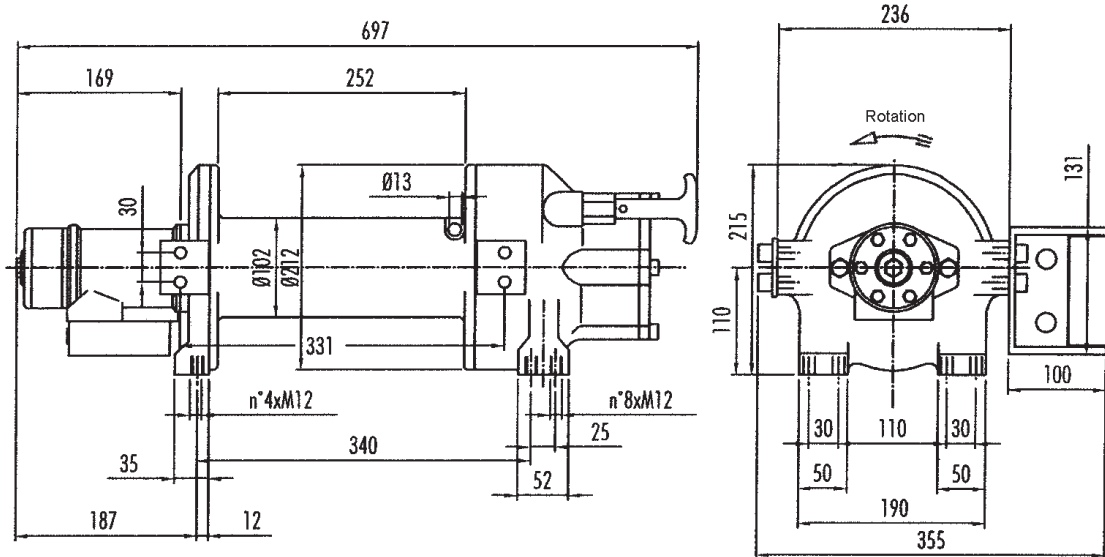
ACCESSORIES



- A** Galvanised level winder
 - B** Heavy-duty galvanised roller fairlead
 - C** Air cylinder shifter
- Wire Rope & Hook (12mm x 35mt)

ORDER CODE - LW/EPH
ORDER CODE - RF/EPH3600
ORDER CODE - AK/EPH
ORDER CODE - B2070/12MMX35MT/EH

Dimensional Data



EPH X 4500 / EPH X 4500A *air shift option same dimensions

Technical Data

Drum	Weight without cable	Wire rope capacity	Max.wire rope capacity	Recommended Wire Rope Grade
	Kg	12mm	12mm	
EPH X 4500	48	30	35	2070 35 x 7 wire inner core

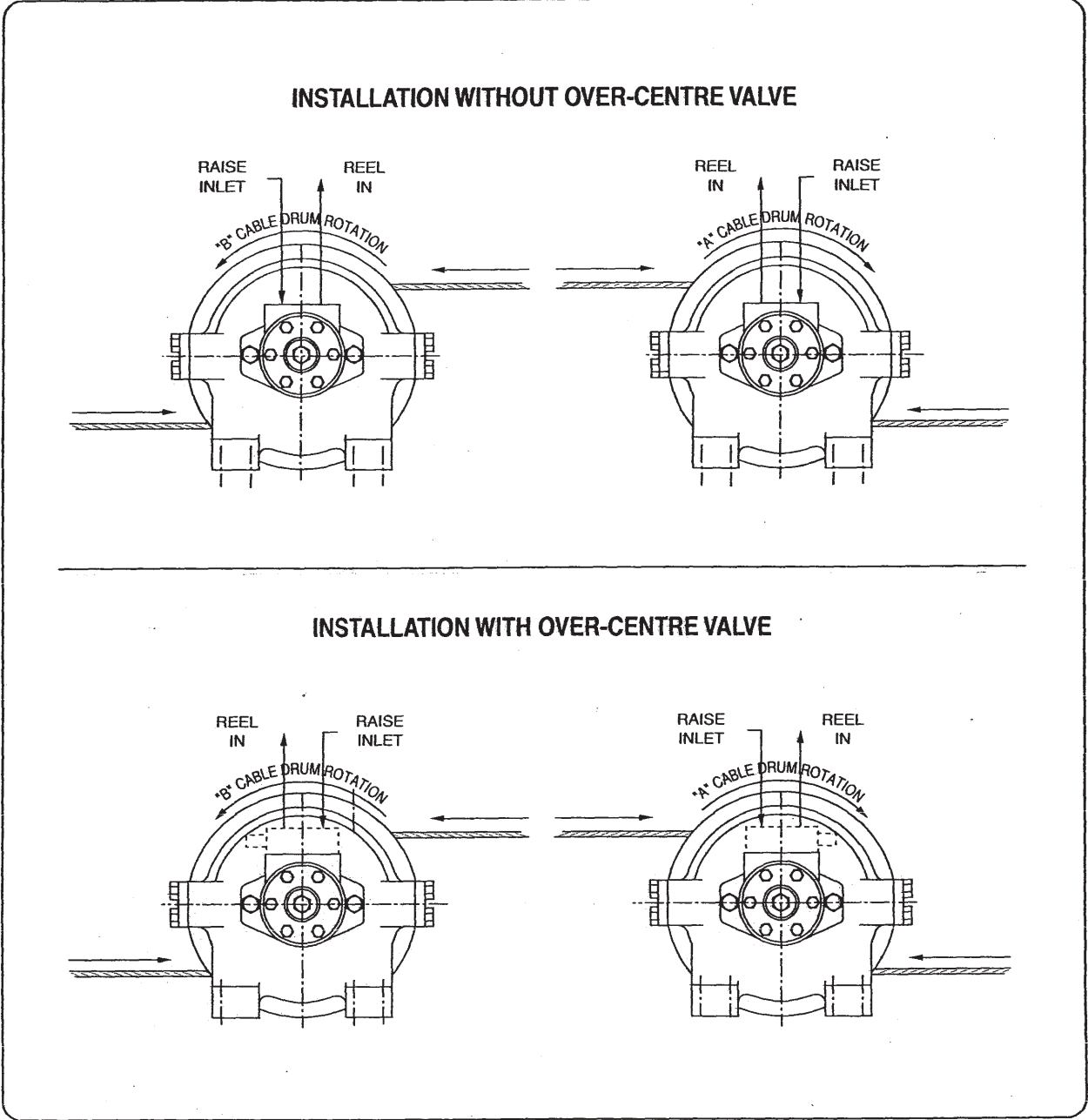
Maximum Pressure	150Bar	Maximum Flow	60 Lt.min
-------------------------	--------	---------------------	-----------

Ratio	Wire Rope Size	Layer	Line Pull
	(mm)		(Kg)
5.3 : 1	12	1	4500
		2	3700
		3	3165
		4	2760
		5	---

Oil Supply	Drum Revolution	Line Speed Mt/min				
		Layers				
Lt/Min	RPM	1	2	3	4	5
40	24.7	8.8	10.7	12.5	14.4	---
50	31.1	11.1	13.4	15.8	18.1	---
60	37.1	13.3	16.0	18.8	21.6	---

WARNING: Designed for TOWING ONLY. Not designed for transporting people or lifting.

Hydraulic Motor Linking



⚠ WARNING
 Do not reverse cable rotation, it may damage winch gears.