



No. 1 in Transport Hydraulics



"M" SERIES UNDERBODY HOISTS

Capacity of rams is calculated assuming a free flowing load, a minimum tipping angle of 50° and includes body weight.

For specific capacities against known operating conditions contact PZB.

Maximum lifting capacity calculated at 170 Bar.

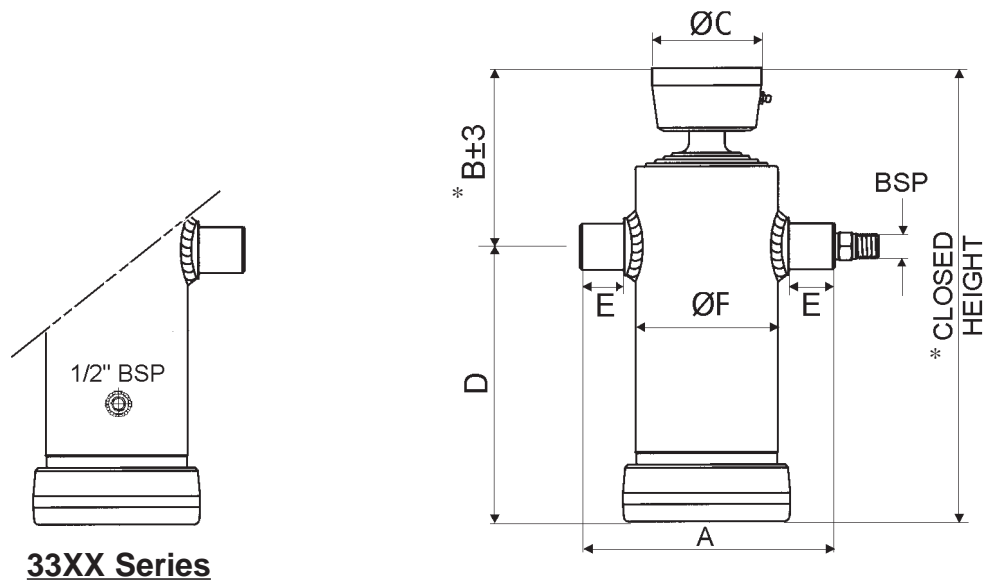
\* Measurement includes 20mm pull out required for mounting

30° MAX BALL ANGLE

**Please note:** When replacing a cylinder in a twin underbody application - the cylinders must be of the same batch date, due to modifications made to design over time.



Type	Lift mm	No. Stages	Lift Capacity 50° tip			* Closed Height (mm)	Wt. Kg	Oil Lt	Mount SUP	Stage Diameter (mm)													
			Nom. ton.	Max. ton.	Ideal Pivot					30	46	61	76	91	107	126	145	165					
<b>SINGLE UNDERBODY</b>																							
6002S	850	6	4	6.5	1010	315	23	3.6	40	●	●	●	●	●	●								
6003S	1000	6			1190	355	26	4.5	40	●	●	●	●	●	●								
3063S	800	4	5	8.5	950	380	21	3.2	35		●	●	●	●									
3065S	1060	4			1260	445	26	4.3	35		●	●	●	●									
3092S	1040	5			1190	395	29	5	40		●	●	●	●	●								
3093S	1200	5			1425	425	31	6	40		●	●	●	●	●								
3094S	1500	5			1785	485	35	7.5	40		●	●	●	●	●								
6008S	1500	6			1785	440	46	8.9	45		●	●	●	●	●	●							
6009S	1800	6			2140	490	51	11.2	45		●	●	●	●	●	●							
8004S	1940	8			7	11.5	2300	462	78	19.5	50	●	●	●	●	●	●	●	●	●			
<b>TWIN UNDERBODY</b>																							
3095S	2150	5	5	8.5	2550	620	45	10.8	40		●	●	●	●	●								
3096S	2490	5			2960	685	50.5	12.4	40		●	●	●	●	●								
6012S	3000	6			3500	690	71	19	45		●	●	●	●	●	●							
3047S	1500	4	7	11.5	1785	572	43	8.7	40			●	●	●	●								
3048S	1700	4			2025	622	46	10	40			●	●	●	●								
3049S	2000	4			2380	692	51	11.5	40			●	●	●	●								
3052S	1230	5			1490	450	45	9	45			●	●	●	●	●							
3053S	1500	5	9	15	1785	500	53	11	45			●	●	●	●	●							
3055S	2150	5			2550	630	67	15.5	45			●	●	●	●	●							
3356S	2500	5			2975	700	75	18	45			●	●	●	●	●							
<b>HEAVY SERIES</b>										68	88	107	126	145	165								
4058S	1540	6	14	24	1890	478	82	18.5	50	●	●	●	●	●	●								
4059S	1810	6			2210	523	89	21.5	50	●	●	●	●	●	●								
4060S	2250	6			2675	593	102	25.9	50	●	●	●	●	●	●								
4062S	3000	6			3570	713	125	34.6	50	●	●	●	●	●	●								
5010S	3500	5			4165	935	133	46	50	●	●	●	●	●	●								



Type	A	*B	C	D	E	F	* Closed Height	BSP	Seal Kit
6002S	230	160	112	155	40	124	315	½"	SKCY013
6003S	230	170	112	185	40	124	355	½"	SKCY013
3063S	215	160	112	220	40	112	380	½"	SKCY003
3065S	215	165	112	280	40	112	445	½"	SKCY003
3092S	230	170	112	225	40	124	395	½"	SKCY006
3093S	230	170	112	255	40	124	425	½"	SKCY006
3094S	230	170	112	315	40	124	485	½"	SKCY006
3095S	230	170	112	445	40	124	620	½"	SKCY006
3096S	230	170	112	515	40	124	685	½"	SKCY006
6008S	265	175	112	265	45	152	440	½"	SKCY031
6009S	265	175	112	315	45	152	490	½"	SKCY031
6012S	265	175	112	515	45	152	690	½"	SKCY031
8004S	320	270	112	192	45	190	462	¾"	SKCY035
3047S	230	177	95	395	40	124	572	½"	SKCY004
3048S	230	177	95	445	40	124	622	½"	SKCY004
3049S	230	177	95	515	40	124	692	½"	SKCY004
3052S	265	185	95	265	45	152	450	½"	SKCY005
3053S	265	185	95	315	45	152	500	½"	SKCY005
3055S	265	185	95	445	45	152	630	½"	SKCY005
3356S	265	185	95	515	45	152	700	½"	SKCY005
4058S	320	268	107	210	45	190	478	¾"	SKCY012
4059S	320	268	107	255	45	190	523	¾"	SKCY012
4060S	320	268	107	325	45	190	593	¾"	SKCY012
4062S	320	268	107	445	45	190	713	¾"	SKCY012
5010S	320	265	107	670	45	190	935	¾"	SKCY011

**\*Includes 20 mm Pull-Out for mounting rams**