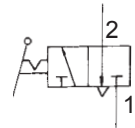


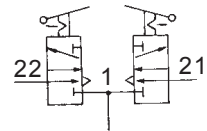


✓ A complete range of flange mounted switches designed for the driver's cab of today's commercial vehicles.

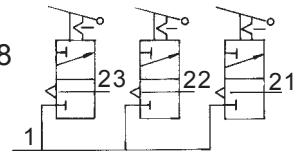
Single 332001P008



Dual 332003P008



Triple 332005P008



SPECIFICATIONS

Air pressure: 12 bar max.
Electric supply: 24 V max., DC.

WEIGHT: Single 0,100 Kg
Dual 0,200 Kg
Triple 0,300 Kg

3.3.2.00X.P008

BASIC SERIAL NUMBER

TYPE

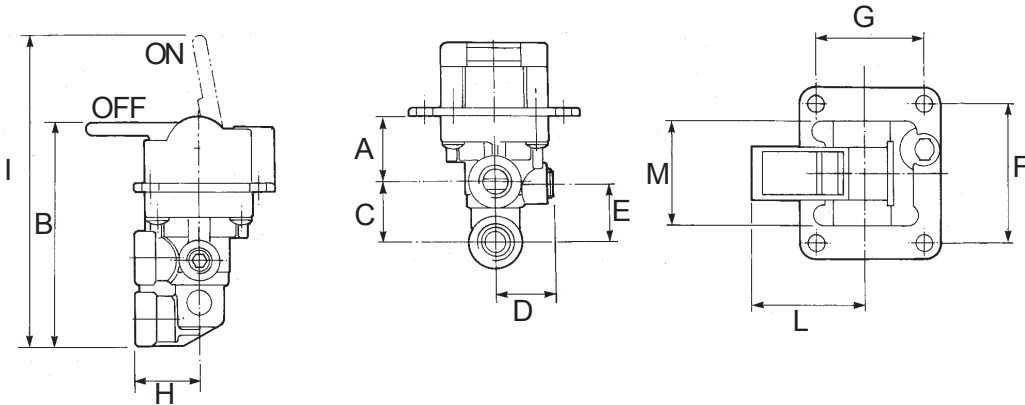
001 = ONEWAY, WARNINGLIGHT, PRESSURE SWITCH

003 = TWO WAY, WARNINGLIGHT, PRESSURE SWITCH

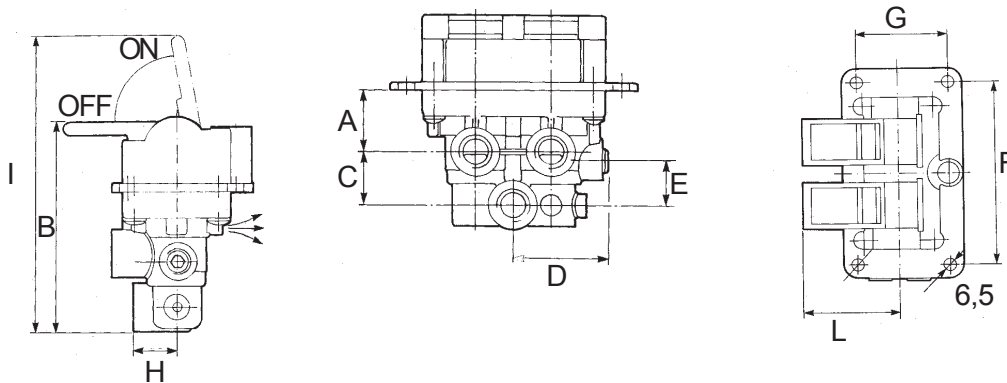
005 = THREE WAY, WARNINGLIGHT, PRESSURE SWITCH

DIMENSIONAL DETAIL

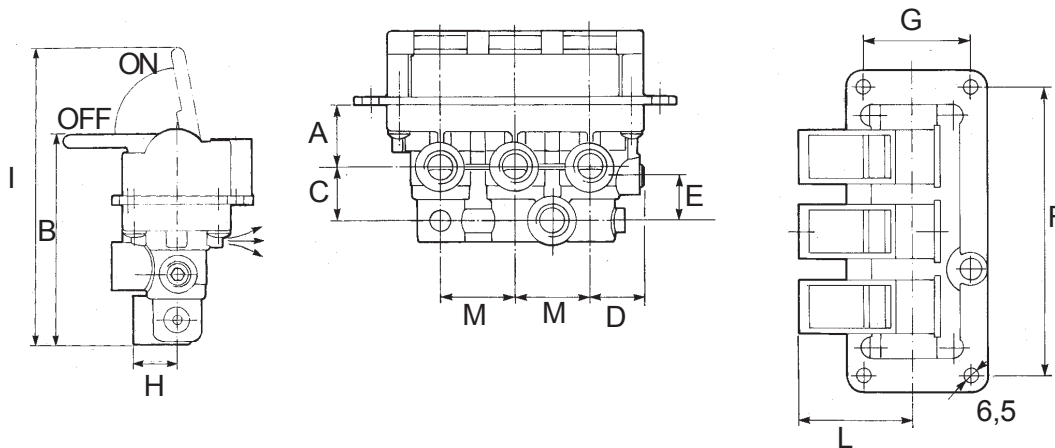
Single 332001P008



Dual 332003P008



Triple 332005P008



Code	A	B	C	D	E	F	G	H	I	L	M	Ports	Pressure Swt	Repair Kit
332001P008	25	84	23	33	22	52	40	24	117	42	40	1/8"G	1/8"G	299019P000 (x1)
332003P008	23	78	20	33	17	80	42	16	111	42	n/a	1/8"G	1/8"G	299019P000 (x2)
332005P008	23	78	20	33	17	108	40	16	111	42	28	1/8"G	1/8"G	299019P000 (x3)