



Control cable for PTO and directional valves.

Minimum bending radius 300 mm.

Maximum push load 30 kg.

Maximum pull load 100 kg.

**3.9.6.XXX.0000**

BASIC SERIAL NUMBER

SINGLE CABLE LENGHT

**010** = mt. 1

**015** = mt. 1,5

**020** = mt. 2

**025** = mt. 2,5

**030** = mt. 3

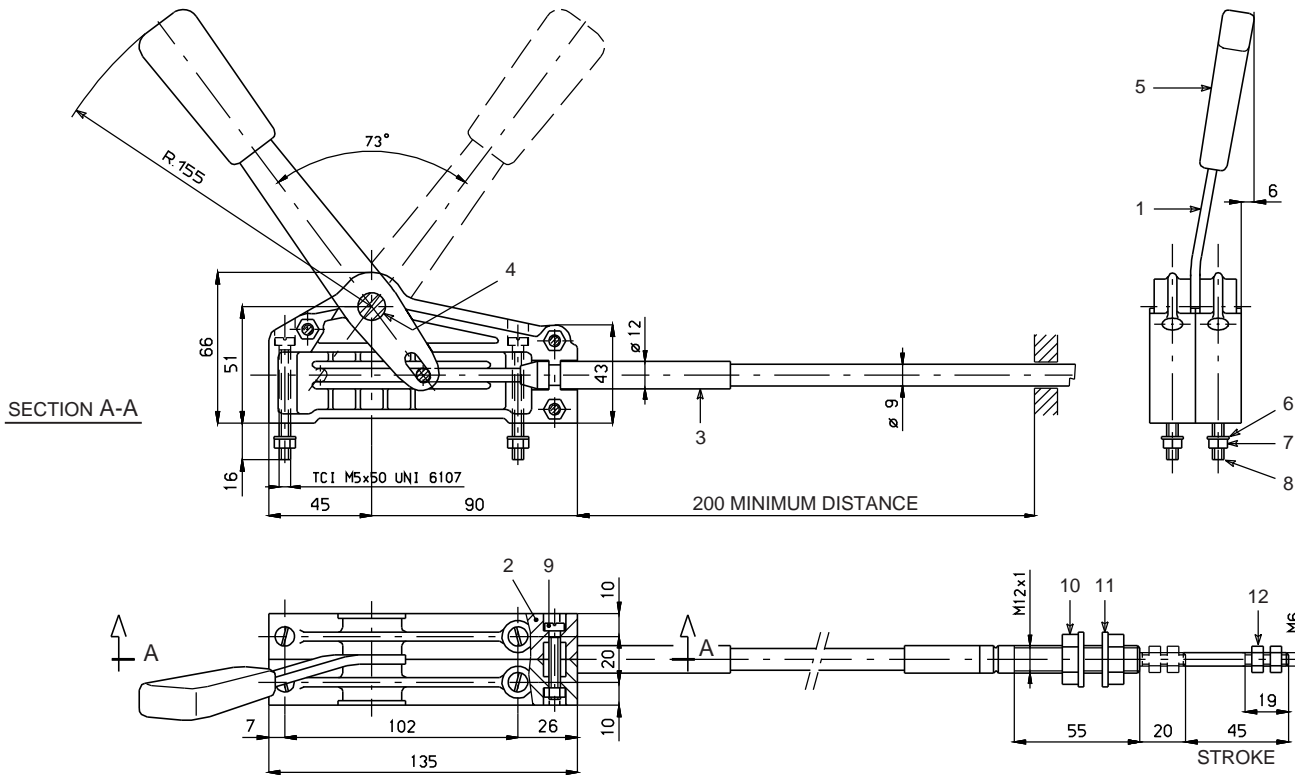
**035** = mt. 3,5

**040** = mt. 4

**045** = mt. 4,5

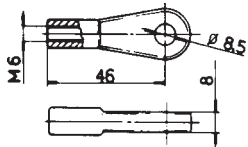
**050** = mt. 5

**060** = mt. 6



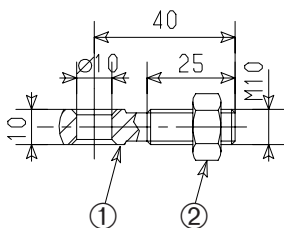
REF.	CODE	DESCRIPTION	QT.
1	1.23.00.048.00	Lever	1
2	1.99.00.306.00	Housing	2
3	2.10.009.0000	Flexible cable mt. 1	1
	2.10.010.0000	Flexible cable mt. 1,5	
	2.10.011.0000	Flexible cable mt. 2	
	2.10.012.0000	Flexible cable mt. 2,5	
	2.10.013.0000	Flexible cable mt. 3	
	2.10.014.0000	Flexible cable mt. 3,5	
	2.10.015.0000	Flexible cable mt. 4	
	2.10.016.0000	Flexible cable mt. 4,5	
2.10.017.0000	Flexible cable mt. 5	4	
2.10.018.0000	Flexible cable mt. 6		
4	1.14.02.018.00	Lever pin	1
5	0.99.00.075.00	Red handle 1009-15X4	1
6	0.04.01.047.00	Washer 5,3 UNI 6592	4
7	0.03.01.012.00	Hex nut M5 UNI 5588 CL RES 8	7
8	0.01.02.012.00	Capscrew TCI M5x50 UNI 6107 CL RES 4.8	4
9	0.01.02.011.00	Capscrew TCI M5x30 UNI 6107 CL RES 4.8	3
<b>PARTS INCLUDED IN KIT No. 2.10.XXX.0000</b>			
10	0.03.01.013.00	Hex nut M12x1 UNI 5589 CL RES A8	2
11	0.04.01.048.00	Washer 13 UNI 6592	2
12	0.03.01.014.00	Hex nut M6 UNI 5589 CL RES 10	2

### EYE-BOLT FOR GENERAL PURPOSES



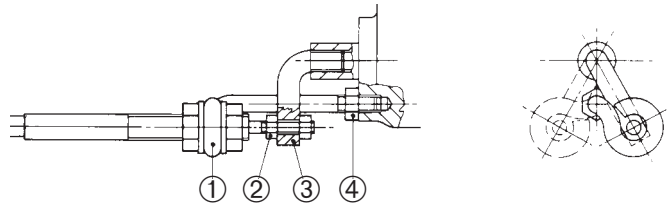
REF.	CODE	DESCRIPTION	QT.
	0.99.00.039.00	CF75/5 Eye-bolt	1

### Kit 2.08.003.0000 KIT TIE ROD FOR CONNECTING CABLE TO MECHANICAL PTO



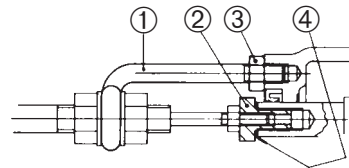
REF.	CODE	DESCRIPTION	QT.
1	1.99.00.300.00	Tie rod	1
2	1.30.02.001.00	M10 Hex nut 14 CL RES 6S	1

### Kit 2.08.007.0000 KIT FOR CONNECTING CABLE WITH EXTENSION PLATE TO PTO



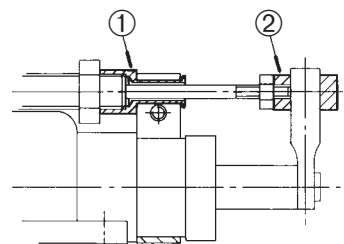
REF.	CODE	DESCRIPTION	QT.
1	1.99.00.111.00	Outer cable support	1
2	0.03.01.001.00	Hex nut M6 UNI 5588 CL RES 10	1
3	1.99.00.088.00	Extension plate	1
4	0.03.01.002.00	Hex nut M8 UNI 5588 CL RES 8	1

### Kit 2.08.010.0000 KIT FOR CONNECTING CABLE TO PTO



REF.	CODE	DESCRIPTION	QT.
1	1.99.00.111.00	Outer cable support	1
2	1.30.01.021.00	Cable tension screw	1
3	0.03.01.002.00	Hex nut M8 UNI 5588 CL RES 8	1
4	0.04.04.001.00	Washer Schnorr 10	1

### Kit 2.08.019.0000 KIT FOR CONNECTING TO SERIE 5.. PTO



REF.	CODE	DESCRIPTION	QT.
1	1.99.00.190.00	Guide bushing	1
2	1.27.02.093.00	Ring	1