

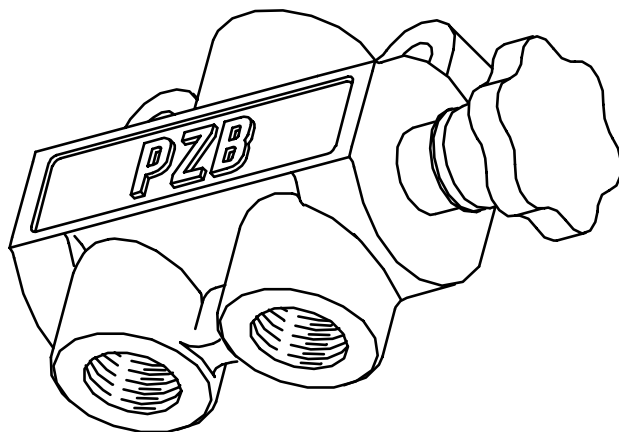


OLEODINAMICA
PEDERZANI & ZINI

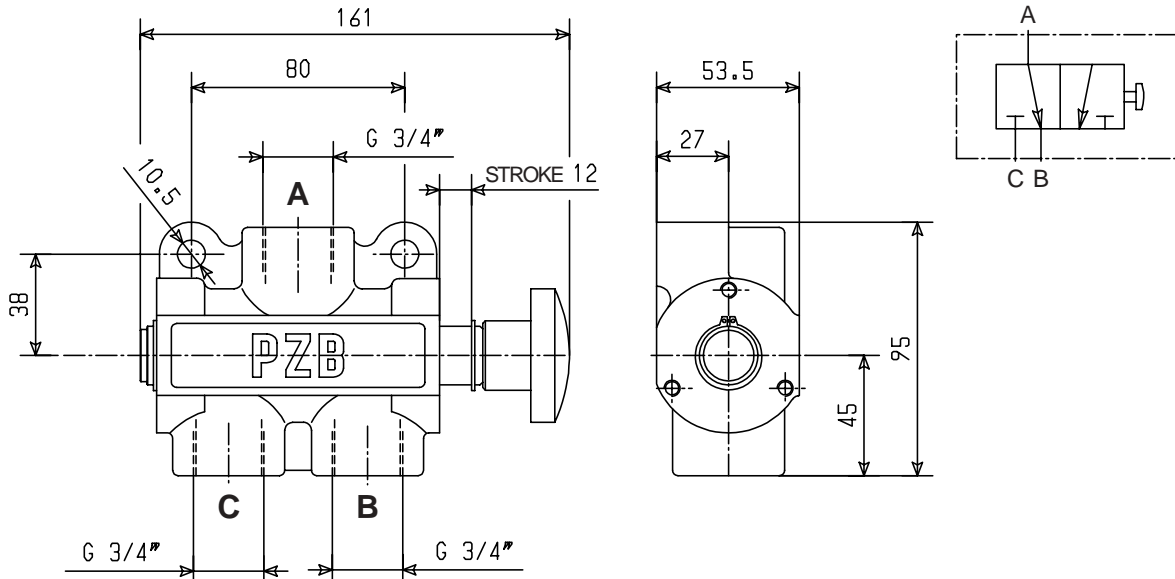
THREE-WAY, MANUALLY OR AIR OPERATED DIVERTER VALVE 3.3.1.061

Three-way, two position, manually or air operated diverter valve.

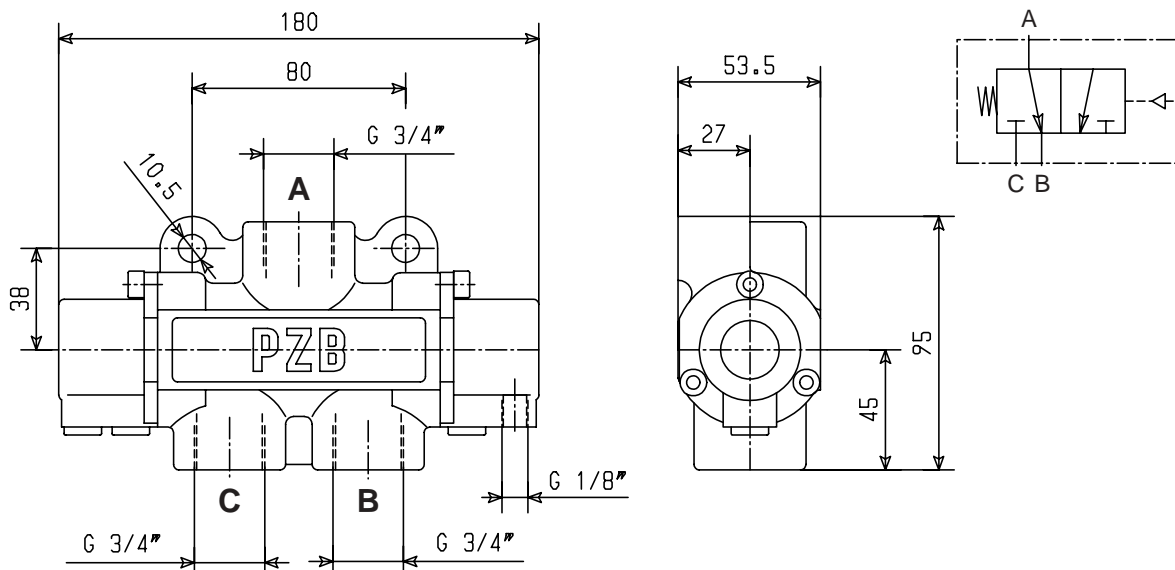
These diverter valves allow two circuits (tipping tractor/trailer, tipping system/crane, etc.) to be driven separately.



CODE 3.3.1.061.00.00 MANUAL OPERATION



CODE 3.3.1.061.01.00 AIR OPERATION



TECHNICAL SPECIFICATIONS

Three-way, two position, manually or air operated diverter valve.

- Position with **A** (pump) in **B** (tractor)
- Position with **A** (pump) in **C** (trailer/crane)

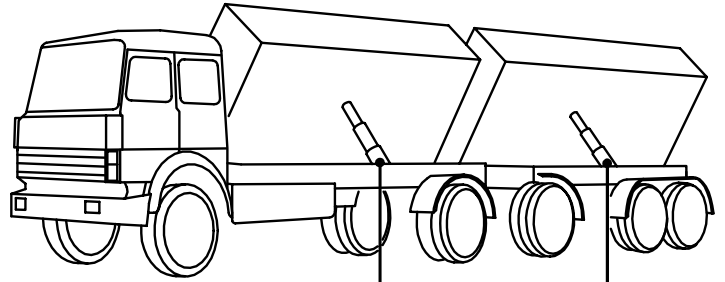
Delivery: up to 130 litres/min.

Pressure: up to 350 bar.

Air pressure: 4,5 - 10 bar.

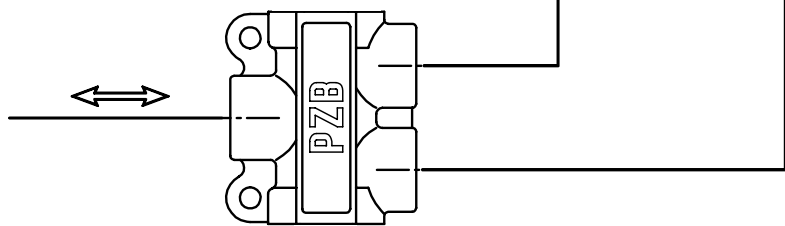
Weight: kg. 2,2

FITTING THE 3.3.1.061 DIVERTER VALVE



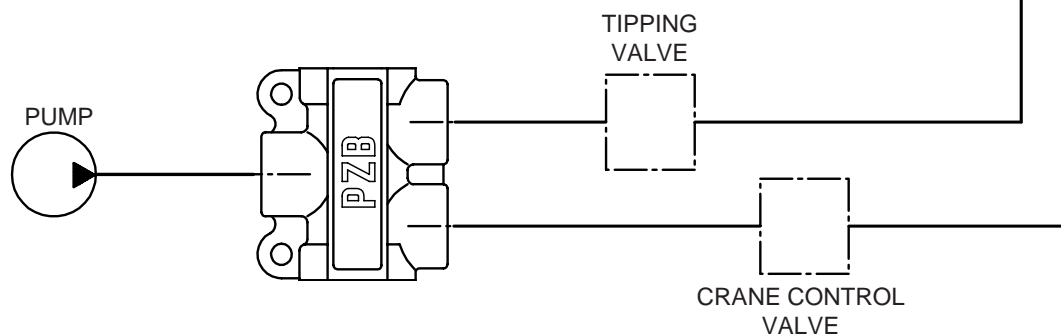
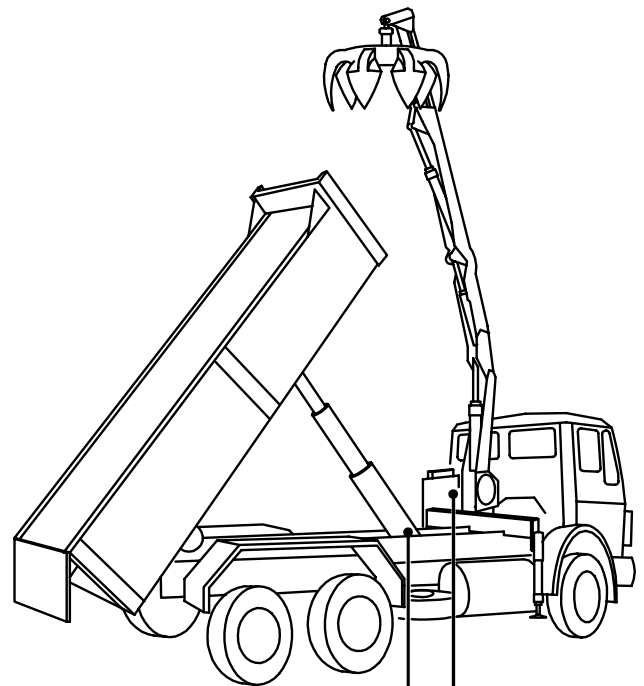
The 3.3.1.061 valve allows the two tipping bodies to be tipped and lowered separately.

The valve is fitted in-line, after the main valve.



The 3.3.1.061 valve allows to operate either the crane or the tipper.

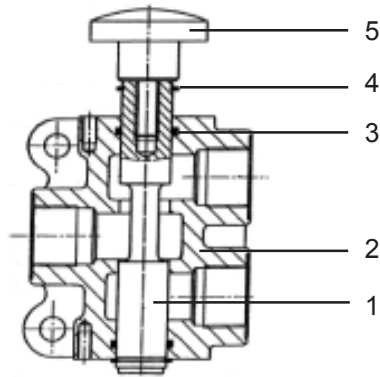
The valve is fitted in-line, between the pump and the control valves.





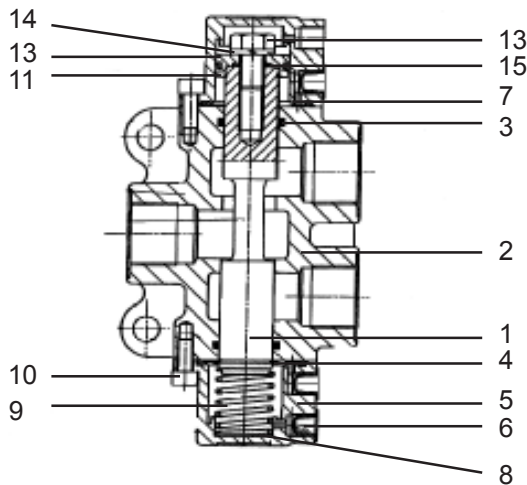
HYDRAULIC COMPONENTS & POWER TAKE OFFS

SPARE PARTS **3310610000**



Ref	Code	Description	Qty
1	1150008100	Spool	1
2	1060103800	Body	1
3	0080208300	ORing OR 3087	2
4	0070100700	Circlip 22e	2
5	0990015600	Knob	1

SPARE PARTS **3310610010**



Ref	Code	Description	Qty
1	1150009400	Spool	1
2	1060103800	Body	1
3	0080208300	ORing OR 3087	2
4	0070100700	Circlip 22e	1
5	1080201800	Air cap	2
6	0120108600	Port cap	3
7	0080202400	Oring OR3137	1
8	1270100500	Washer	1
9	1280108600	Spring	1
10	0010300100	Capscrews M6x14	6
11	1210204800	Piston	1
12	0080209900	Oring OR 3100	1
13	0010100300	Bolt M10x16	1
14	0040200300	Spring washer	1
15	0080207400	Oring OR 2050	1