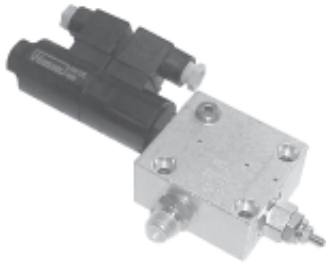




HYDRAULIC COMPONENTS & POWER TAKE OFFS



TANK MOUNT ELECTRIC VALVE **33106X0013**[†]

- ✓ 25lt flow
- ✓ 300 bar maximum
- ✓ 12 or 24 volt

33106X0013

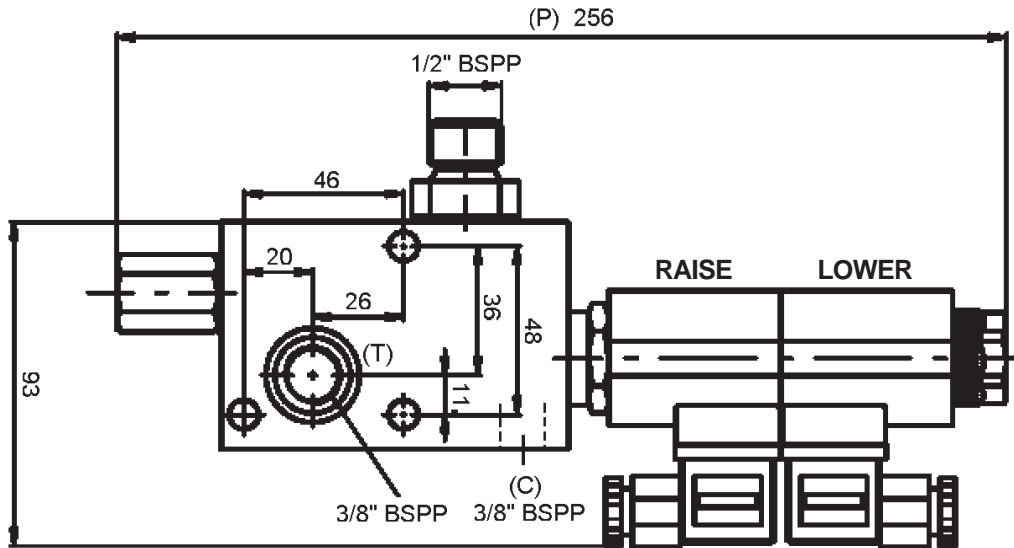
4 = 12 Volt
5 = 24 Volt



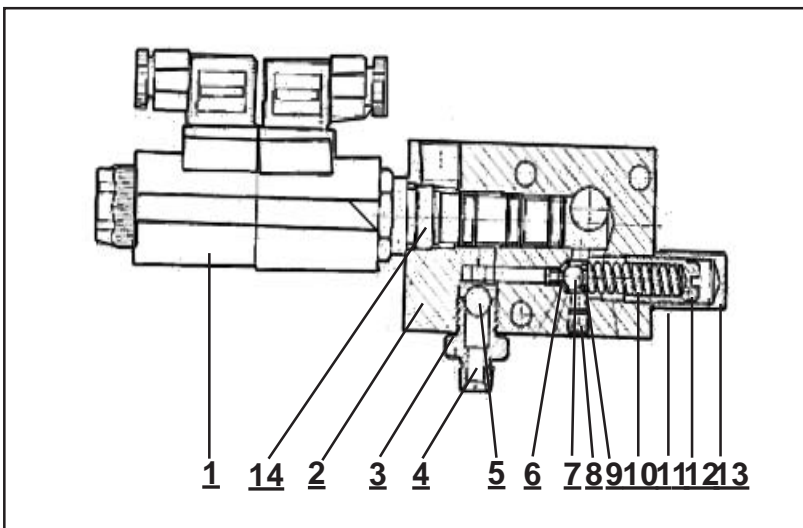
† Valve used in TV00X

| TV00X BILL OF MATERIALS | | | | |
|-------------------------|---------|------------|------------|-----------------------------|
| Code | Voltage | Components | | Capacity Litres (usable) |
| | | Valve | Tank | |
| TV003 | 12V | 3310640013 | 2160590000 | 13 |
| TV004 | 24V | 3310650013 | 2160590000 | 13 |

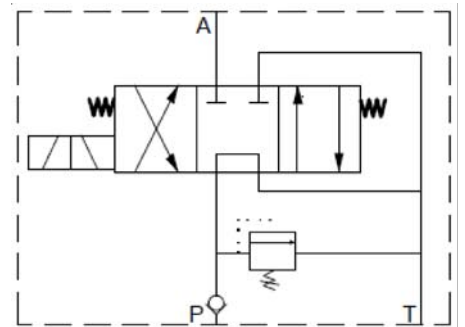
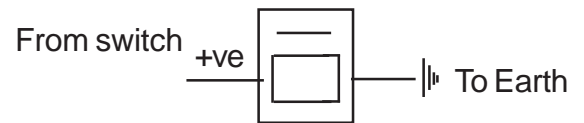
DIMENSIONS



SPARE PARTS



Plug Wiring



SPARE PARTS

| Part | Code | Description | Part | Code | Description |
|------|------------|------------------|------|------------|----------------------------|
| 1 | 9000000485 | Solenoid 24 volt | 8 | 0010501500 | Grub screw |
| | 9000000486 | Solenoid 12 volt | 9 | 1270204400 | Spring ball seat |
| 2 | 1060104000 | Body | 10 | 1280103600 | Relief spring |
| 3 | 0040106300 | Washer | 11 | 0040106300 | Washer |
| 4 | 0130003600 | Fitting 3/8" BSP | 12 | 1300102800 | Cap screw |
| 5 | 0110100300 | Ball | 13 | 1300300800 | Relief Cover |
| 6 | 1250201900 | Relief seat | 14 | 0000402800 | Solenoid and stem assembly |
| 7 | 0110100100 | Ball | | | |