



## POWER TAKE-OFF **4.2.05.1.**

### FOR GEARBOX :

IVECO 2845.5 ratio 0,56:1  
 2865.6 ratio 0,58:1  
 2870.9 ratio 0,95:1  
 2895.9 ratio 1:1

EATON 4106 FS 5206A ratio 0,58:1  
 FS 5206B ratio 0,70:1  
 FSO 5206B ratio 0,86:1

EATON 6109 FS 6309 - FS 8309 ratio 1:1  
 FS/FSV/H/V 8209A ratio 1:1  
 FSO 8209A ratio 1,37:1

## POWER TAKE-OFF **4.2.05.2.**

### FOR GEARBOX :

IVECO 2845.6 ratio 0,56:1  
 2855.5 - 2855.6 ratio 0,75:1

Technical data: refer to transmission application manual.

OUTPUT TORQUE:

30 kgm.

WEIGHT: kg 4,2

### 4.2.05.X.000.X.0

BASIC SERIAL NUMBER

GEARBOX TYPE

**1** = IVECO 2845.5 ratio 0,56:1  
 2865.6 ratio 0,58:1  
 2870.9 ratio 0,95:1  
 2895.9 ratio 1:1  
 EATON 4106 FS 5206A ratio 0,58:1  
 FS 5206B ratio 0,70:1  
 FSO 5206B ratio 0,86:1  
 EATON 6109 FS 6309 - FS 8309 ratio 1:1  
 FS/FSV/H/V 8209A ratio 1:1  
 FSO 8209A ratio 1,37:1

**2** = IVECO 2845.6 ratio 0,56:1  
 2855.5 - 2855.6 ratio 0,75:1

SPECIAL OPTIONS

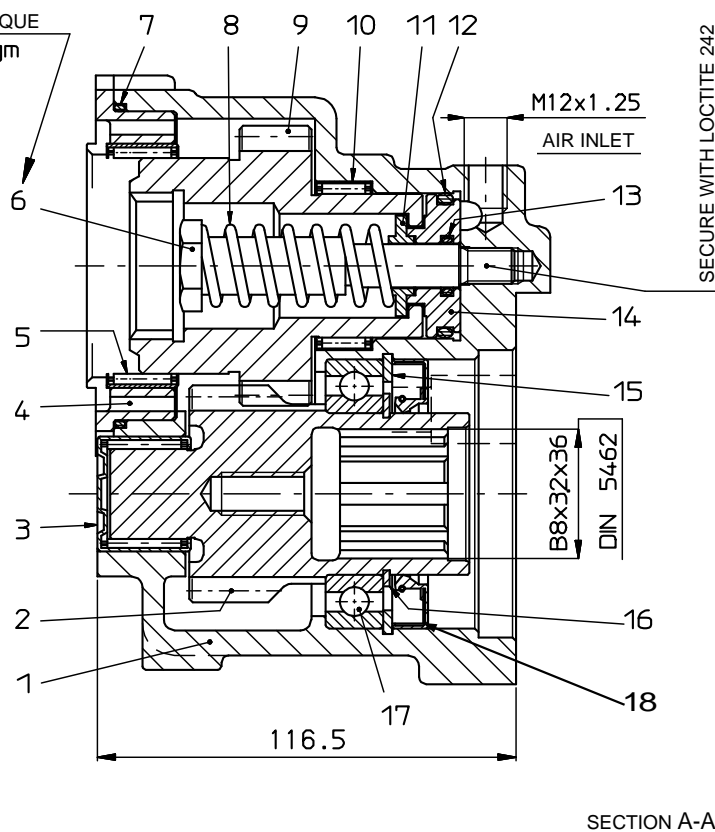
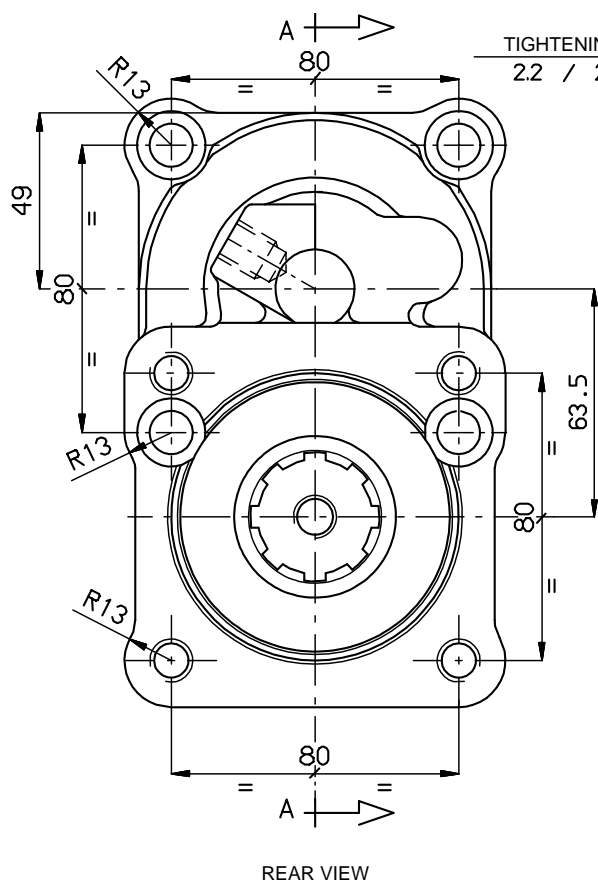
**0** = STANDARD OPTION

**1** = \* WITH LUBRICATION PORT

### OUTPUT SHAFT OPTION

	DESCRIPTION	
	For remote transmission DIN 00/SPICER 1120 (see chart X group E)	<b>KIT 2.05.330.0000</b>
	For remote transmission DIN 10/SPICER 1300 (see chart X group E)	<b>KIT 2.05.323.0000</b>
	Direct mounting PZB pumps-3 bolt mtg. flange (see chart Y type M)	<b>KIT 2.05.324.0000</b>
	Direct mounting ISO 4 bolt mtg. flange pumps (see chart Y type H)	<b>KIT 2.05.087.0000</b>

\* Use lubrication kit code 2.99.039.0000



REF.	CODE	DESCRIPTION	QT.
1	1.01.02.144.00	Housing	1
	1.01.02.150.00	Housing with lubrication port (PTO 4205X00010)	
2	1.11.10.154.00	Gear 18 T	1
3	0.10.07.011.00	Needle cage BK25/26	1
4	1.09.01.036.00	Support	1
5	0.10.07.009.00	Needle cage HK60/20	1
6	1.30.01.088.00	Capscrew (P.T.O. 4.2.05.1)	1
	1.30.01.091.00	Capscrew (P.T.O. 4.2.05.2)	
7	0.08.02.114.00	O-Ring OR 3325	1
8	1.28.01.122.00	Coil spring	1
9	1.11.10.106.00	Gear 24 T	1
10	0.10.07.008.00	Needle cage HK40/16	1
11	1.27.02.125.00	Ring	1
12	0.08.02.012.00	O-Ring OR 4131	1
13	0.08.02.002.00	O-Ring OR 115	1
14	1.21.02.040.00	Piston	1
15	0.07.02.044.00	Circlip 75i UNI 7437	1
16	0.07.01.004.00	Circlip 45e UNI 7435	1
17	0.10.01.016.00	Bearing 6009	1
18	0.08.01.078.00	Seal 45x75x10	1