

## POWER TAKE-OFF **3.2.86.5.1.**

### FOR GEARBOX :

EATON 5109 DT, OD  
LEFT SIDE REAR OPENING  
REVERSE TRANSMISSION GEAR



Technical data: refer to transmission application manual.

OUTPUT TORQUE:

20 kgm. (increase of 50% for intermittent service).

WEIGHT: kg. 7,5

### 3.2.86.5.1.XX.0.X

BASIC SERIAL NUMBER

OUTPUT SHAFT OPTION

COMPANION FLANGE FOR REMOTE TRANSMISSION

**0** = NO OPTION

**1** = SPICER 1120 CODE 2.05.054.0000

**2** = SPICER 1300 CODE 2.05.055.0000

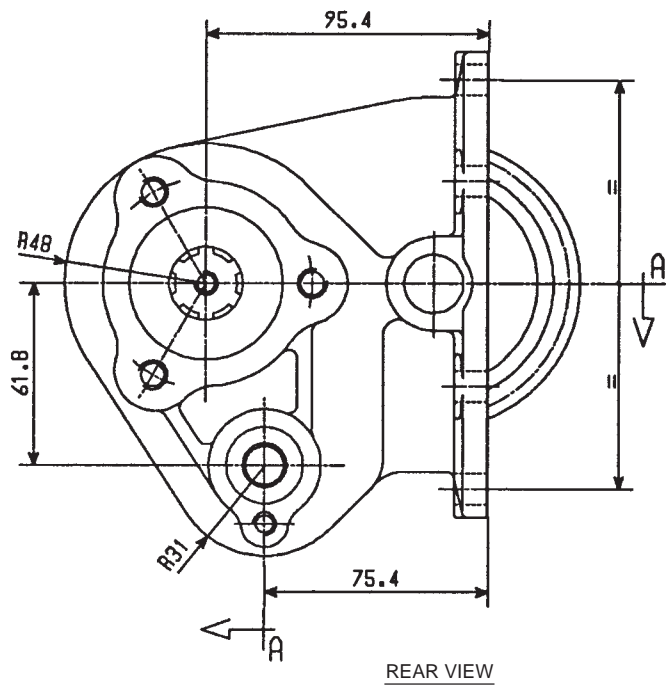
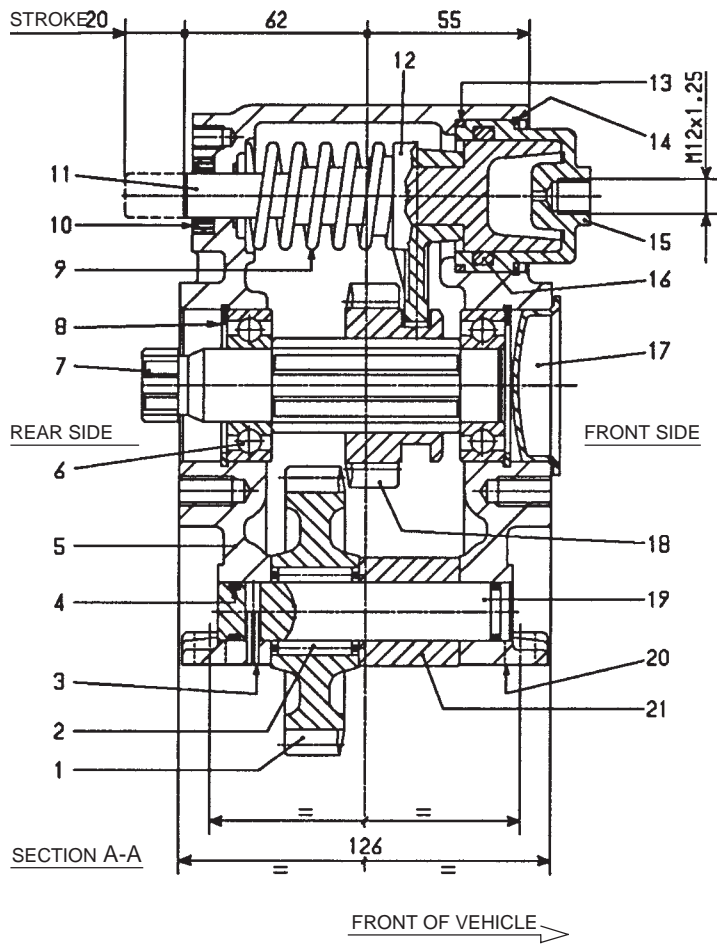
**3** = DIN 00 CODE 2.05.056.0000

**6** = DIN 10 CODE 2.05.077.0000

### OUTPUT SHAFT OPTION

### DOUBLE OUTPUT SHAFT OPTION

DESCRIPTION	CODE		POSSIBLE COMBINATIONS	CODE
	FORW.	REAR.		
For remote transmission (see chart X group A)	<b>01</b>	<b>02</b>	<b>01 + 02 = 11</b>	
Direct mounting PZB pumps-3 bolt mtg. flange (see chart Y type A)	<b>03</b>	<b>04</b>	<b>03 + 04 = 12</b>	
			<b>01 + 04 = 15</b>	
			<b>03 + 02 = 19</b>	



REF.	CODE	DESCRIPTION	QT.
1	1.11.01.111.00	Gear 24 T	1
2	0.10.06.005.00	Needle cage K20x30x30	1
3	0.05.02.001.00	Roll pin 4x18 UNI 6873	1
4	0.08.02.003.00	O-Ring OR 119	2
5	1.01.02.057.00	Housing	1
6	0.10.01.001.00	Bearing 6205	2
7	1.13.01.013.00	Shaft 502PU/7 (single output)	1
	1.13.02.018.00	Shaft (double output)	
8	0.07.02.004.00	Circlip 52i UNI 7437	2
9	1.28.01.002.00	Coil spring 216/3	1
10	0.08.01.004.00	Seal 15x26x7	1
11	1.21.01.002.00	Piston 218B/4	1
12	1.22.01.030.00	Fork	1
13	0.08.02.056.00	O-Ring OR 3187	1
14	0.07.05.002.00	Circlip SB52	1
15	1.08.01.001.00	Cylinder 218B/5	1
16	0.08.02.010.00	O-Ring OR 6150	1
17	0.12.01.044.00	Plug 52x7	1
18	1.11.07.116.00	Gear 15 T	1
19	1.14.01.043.00	Shaft	1
20	1.29.01.001.00	Gasket PTO/gearbox SAE 6 bolt/metr.0,5	1
21	1.26.01.055.00	Spacer	1