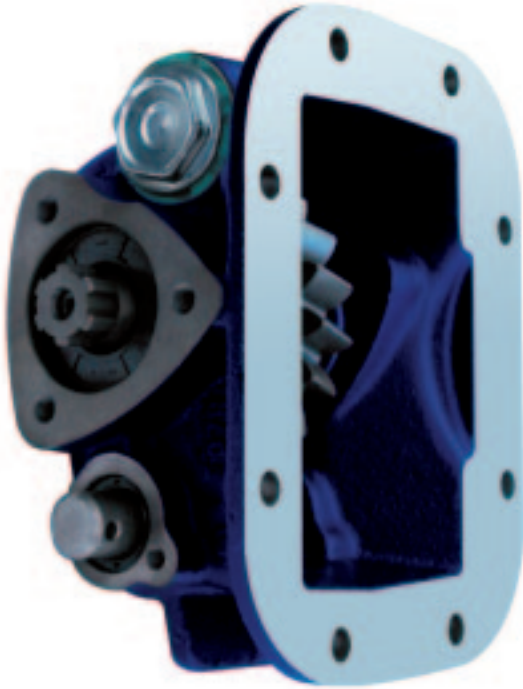


**POWER TAKE-OFF**

**3.2.83.8.1**

**FOR GEARBOX :**

NISSAN MRT 20A, 21A



Technical data: refer to transmission application manual.

**OUTPUT TORQUE:**

25 kgm. (increase of 50% for intermittent service).

**WEIGHT:** kg. 7

**3.2.83.8.1.XX.1.X**

BASIC SERIAL NUMBER

OUTPUT SHAFT OPTION

COMPANION FLANGE FOR REMOTE TRANSMISSION

**0** = NO OPTION

**1** = SPICER 1120 CODE 2.05.054.0000

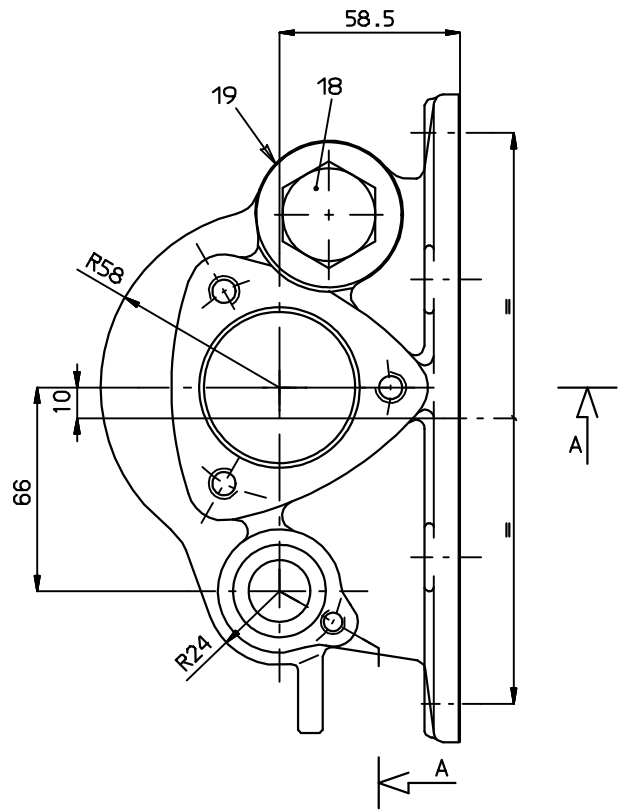
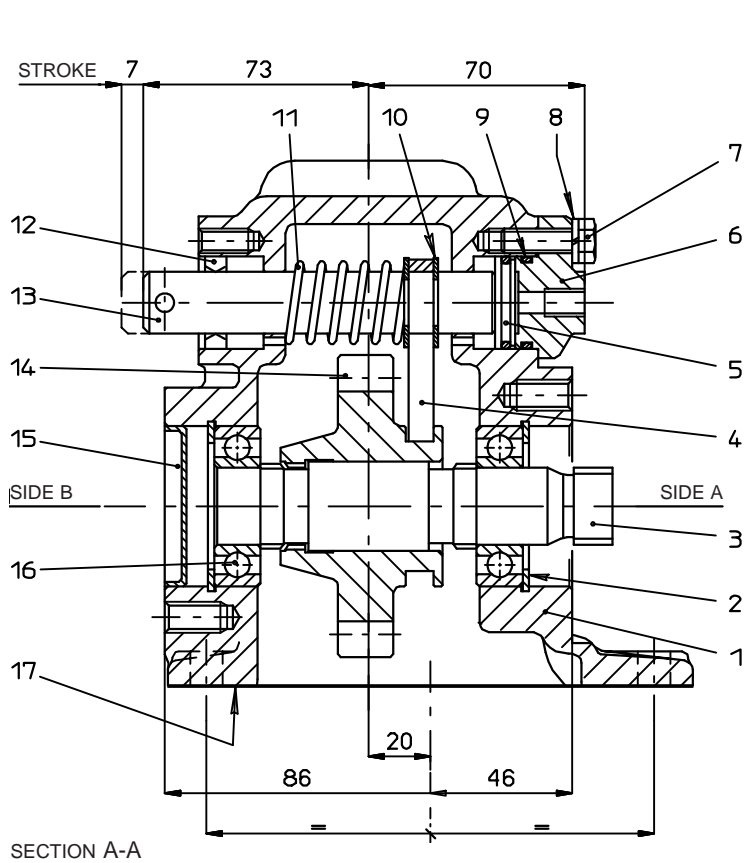
**2** = SPICER 1300 CODE 2.05.055.0000

**3** = DIN 00 CODE 2.05.056.0000

**6** = DIN 10 CODE 2.05.077.0000

**OUTPUT SHAFT OPTION**

| DESCRIPTION   | CODE      |           |
|---|-----------|-----------|
|   | SIDE A    | SIDE B    |
| For remote transmission (see chart X group A)                     | <b>01</b> | <b>02</b> |
| Direct mounting PZB pumps-3 bolt mtg. flange (see chart Y type A) | <b>03</b> | <b>04</b> |



SECTION A-A

REAR VIEW

FRONT OF VEHICLE →

| REF. | CODE           | DESCRIPTION                           | QT. |
|------|----------------|---------------------------------------|-----|
| 1    | 1.01.01.032.00 | Housing                               | 1   |
| 2    | 0.07.02.004.00 | Circlip 52i UNI 7437                  | 2   |
| 3    | 1.13.01.144.00 | Shaft                                 | 1   |
| 4    | 1.22.01.050.00 | Fork                                  | 1   |
| 5    | 1.21.02.033.00 | Piston                                | 1   |
| 6    | 1.24.01.089.00 | Cover                                 | 1   |
| 7    | 0.01.01.002.00 | Capscrew TE M8x25 UNI 5739 CL RES 8.8 | 1   |
| 8    | 0.04.02.002.00 | Lockwasher 8,4 UNI 1751               | 1   |
| 9    | 0.08.02.013.00 | O-Ring OR 3100                        | 2   |
| 10   | 0.07.03.001.00 | Circlip RS15 UNI 7434                 | 2   |
| 11   | 1.28.01.084.00 | Coil spring                           | 1   |
| 12   | 0.08.01.005.00 | Seal 20x30x7                          | 1   |
| 13   | 1.14.03.073.00 | Shaft                                 | 1   |
| 14   | 1.11.07.160.00 | Gear 17 T                             | 1   |
| 15   | 0.12.01.044.00 | Plug 52x7                             | 1   |
| 16   | 0.10.01.001.00 | Bearing 6205                          | 2   |
| 17   | 1.29.01.081.00 | Gasket PTO/gearbox                    | 1   |
| 18   | 0.12.01.074.00 | Retainer 1" Gas                       | 1   |
| 19   | 0.08.99.005.00 | Gasket 1"                             | 1   |