

POWER TAKE-OFF

3.2.83.6.1.

FOR GEARBOX :

NISSAN MTS 60A
MTS 60C



Technical data: refer to transmission application manual.

OUTPUT TORQUE:

28 kgm. (increase of 50% for intermittent service).

WEIGHT: kg. 7

3.2.83.6.1.XX.0.X

BASIC SERIAL NUMBER

OUTPUT SHAFT OPTION

COMPANION FLANGE FOR REMOTE TRANSMISSION

0 = NO OPTION

1 = SPICER 1120 CODE 2.05.054.0000

2 = SPICER 1300 CODE 2.05.055.0000

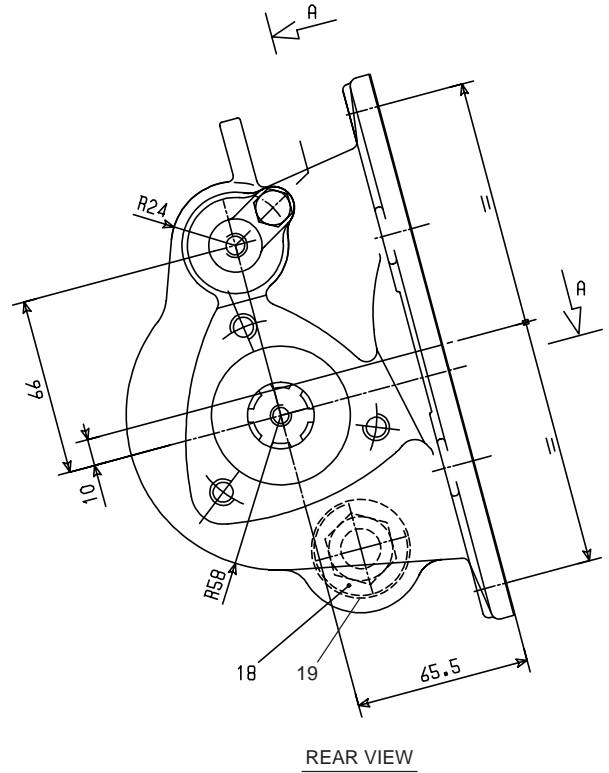
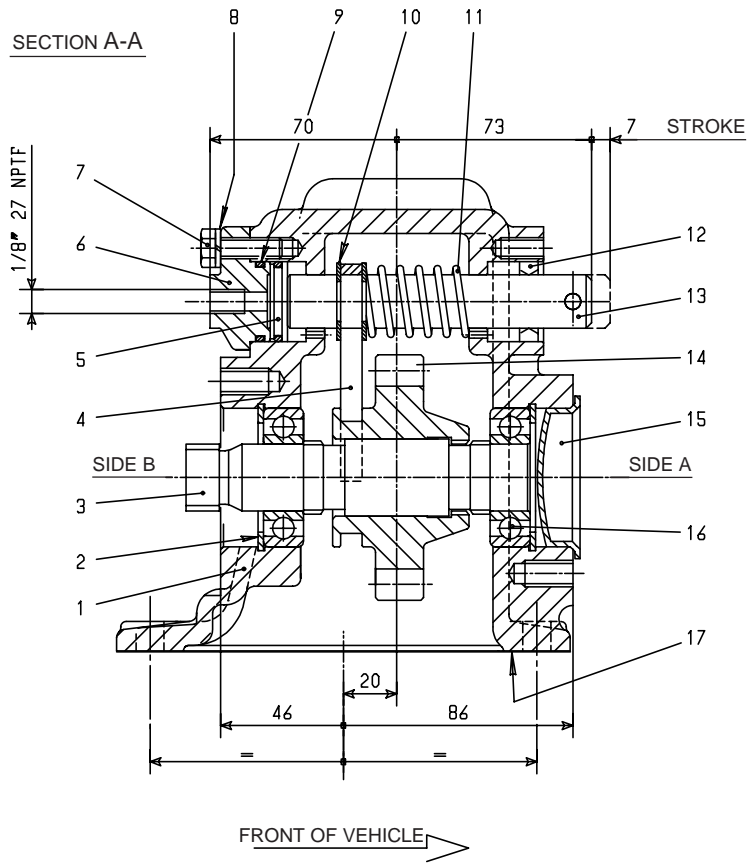
3 = DIN 00 CODE 2.05.056.0000

6 = DIN 10 CODE 2.05.077.0000

OUTPUT SHAFT OPTION

DESCRIPTION	CODE	
	SIDE A	SIDE B
For remote transmission (see chart X group A)	01	02
Direct mounting PZB pumps-3 bolt mtg. flange (see chart Y type A)	03	04

SECTION A-A



REF.	CODE	DESCRIPTION	QT.
1	1.01.01.026.00	Housing	1
2	0.07.02.004.00	Circlip 52i UNI 7437	2
3	1.13.01.144.00	Shaft	1
4	1.22.01.050.00	Fork	1
5	1.21.02.033.00	Piston	1
6	1.24.01.089.00	Cover	1
7	0.01.01.002.00	Capscrew TE M8x25 UNI 5739 CL RES 8.8	1
8	0.04.02.002.00	Lockwasher 8,4 UNI 1751	1
9	0.08.02.013.00	O-Ring OR 3100	2
10	0.07.03.001.00	Circlip RS15 UNI 7434	2
11	1.28.01.084.00	Coil spring	1
12	0.08.01.005.00	Seal 20x30x7	1
13	1.14.03.073.00	Shaft	1
14	1.11.07.151.00	Gear 13 T	1
15	0.12.01.044.00	Plug 52x7	1
16	0.10.01.001.00	Bearing 6205	2
17	1.29.01.081.00	Gasket PTO/gearbox	1
18	0.12.01.074.00	Cover 1" Gas	1
19	0.08.99.005.00	Gasket 1"	1