

POWER TAKE-OFF

3.2.83.3.

FOR GEARBOX :

NISSAN MLS 61A, 61B



Technical data: refer to transmission application manual.

OUTPUT TORQUE:

25 kgm. (increase of 50% for intermittent service).

WEIGHT: kg. 7,4

3.2.83.3.X.XX.1.X

BASIC SERIAL NUMBER

COMPANION FLANGE FOR REMOTE TRANSMISSION

0 = NO OPTION

1 = SPICER 1120 CODE 2.05.054.0000

2 = SPICER 1300 CODE 2.05.055.0000

3 = DIN 00 CODE 2.05.056.0000

6 = DIN 10 CODE 2.05.077.0000

SHIFTING

1 = PNEUMATIC

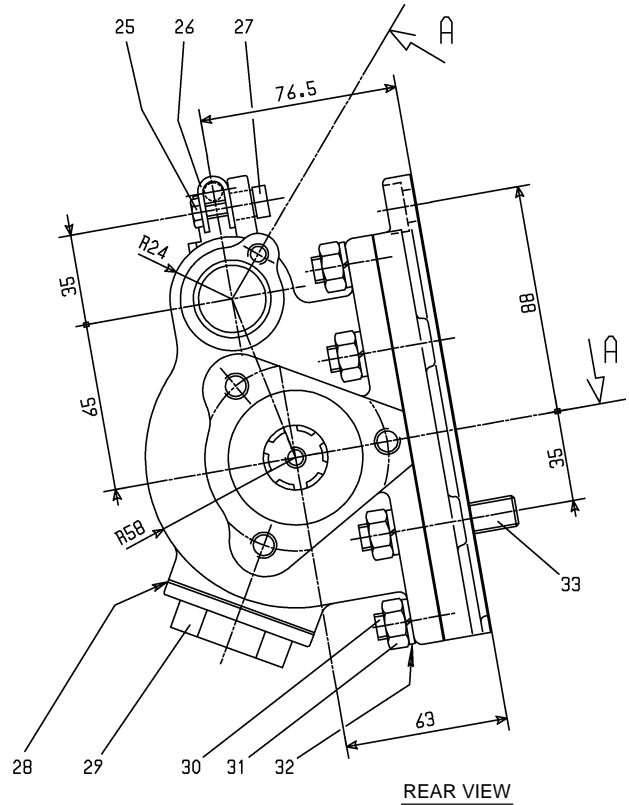
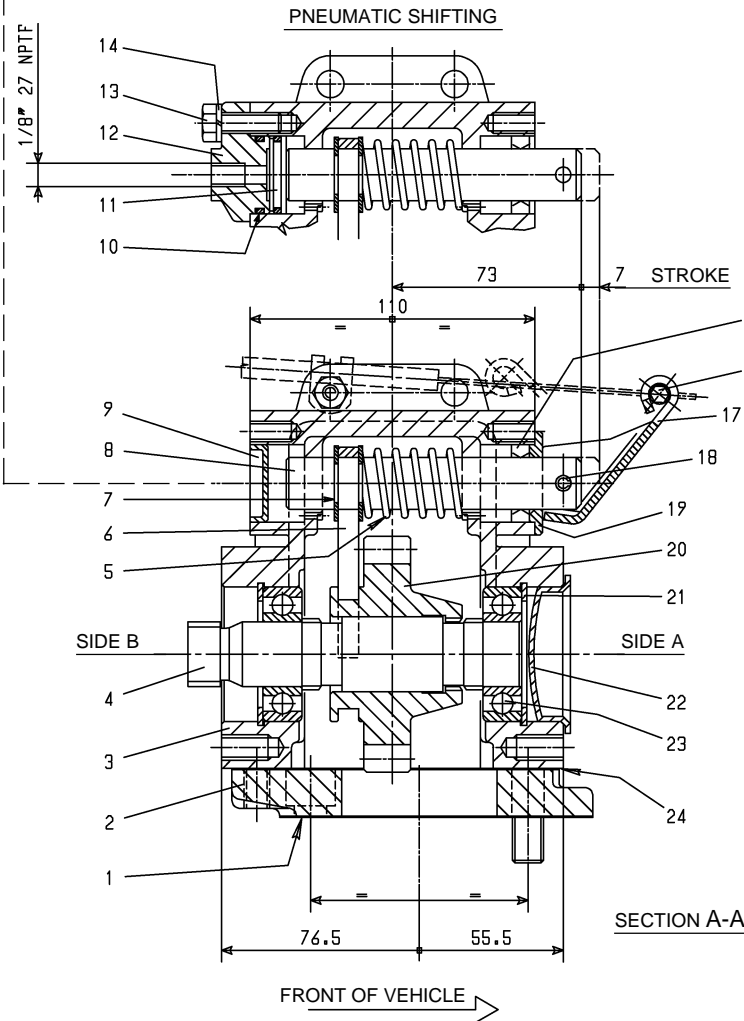
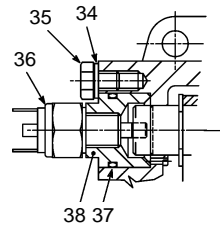
3 = MECHANICAL PUSH-PULL

OUTPUT SHAFT OPTION

OUTPUT SHAFT OPTION

| DESCRIPTION | CODE | |
|---|-----------|-----------|
| | SIDE A | SIDE B |
| For remote transmission (see chart X group A) | 01 | 02 |
| Direct mounting PZB pumps-3 bolt mtg. flange (see chart Y type A) | 03 | 04 |

**OPTIONAL
KIT SWITCH
2.05.437.0000**



| REF. | CODE | DESCRIPTION | QT. |
|------|----------------|--|-----|
| 1 | 1.29.01.122.00 | Gasket PTO/gearbox | 1 |
| 2 | 1.07.01.125.00 | Adapter 4-bolt Nissan gearbox/6-bolt SAE | 1 |
| 3 | 1.01.01.024.00 | Housing | 1 |
| 4 | 1.13.01.144.00 | Shaft | 1 |
| 5 | 1.28.01.084.00 | Coil spring | 1 |
| 6 | 1.22.01.041.00 | Fork | 1 |
| 7 | 0.07.03.001.00 | Circlip RS15 UNI 7434 | 2 |
| 8 | 1.14.03.073.00 | Shaft | 1 |
| 9 | 0.12.01.055.00 | Screw plug 30x7 | 1 |
| 10 | 0.08.02.013.00 | O-Ring OR 3100 | 2 |
| 11 | 1.21.02.033.00 | Piston | 1 |
| 12 | 1.24.01.089.00 | Cover | 1 |
| 13 | 0.01.01.002.00 | Capscrew TE M8x25 UNI 5739 CL RES 8.8 | 1 |
| 14 | 0.04.02.002.00 | Lockwasher 8,4 UNI 1751 | 1 |
| 15 | 0.08.01.005.00 | Seal 20x30x7 | 1 |
| 16 | 0.99.00.132.00 | Clamp with head screw art.1713 | 1 |
| 17 | 1.23.00.041.00 | Lever | 1 |
| 18 | 0.05.02.019.00 | Roll pin 6x28 UNI 6873 | 1 |
| 19 | 1.27.02.090.00 | Washer | 1 |
| 20 | 1.11.07.104.00 | Gear 18 T | 1 |
| 21 | 0.07.02.004.00 | Circlip 52i UNI 7437 | 2 |

| REF. | CODE | DESCRIPTION | QT. |
|---|----------------|--|-----|
| 22 | 0.12.01.044.00 | Plug 52x7 | 1 |
| 23 | 0.10.01.001.00 | Bearing 6205 | 2 |
| 24 | 1.29.01.001.00 | Gasket PTO/gearbox SAE 6-bolt/metr.0,5 | 1 |
| 25 | 0.01.01.027.00 | Capscrew TE M6x20 UNI 5739 CL RES 8.8 | 1 |
| 26 | 1.99.00.181.00 | Hose clamp | 1 |
| 27 | 1.30.02.020.00 | Hex nut | 1 |
| 28 | 0.08.99.003.00 | Gasket 1"1/4 | 1 |
| 29 | 0.12.01.032.00 | Retainer G 1"1/4 | 1 |
| KIT 2.05.249.00.00 | | | |
| 30 | 0.02.02.004.00 | Stud M10x25 UNI 5911 | 5 |
| 31 | 1.30.02.001.00 | M10 Hex nut 14 CL RES 6S | 6 |
| 32 | 0.04.04.001.00 | Washer Schnorr 10 | 6 |
| 33 | 1.30.01.061.00 | Stud M12x1,25/M10x42 | 1 |
| OPTIONAL: KIT SWITCH 2.05.437.0000 | | | |
| 34 | 0.04.01.065.00 | Washer 8,4 DIN 433 | 1 |
| 35 | 0.01.01.029.00 | Capscrew TE M8x10 UNI 5739 CL RES 8.8 | 1 |
| 36 | 0.99.00.226.00 | Indicator switch | 1 |
| 37 | 0.08.02.013.00 | O-Ring OR 3100 | 1 |
| 38 | 1.99.00.290.00 | Bracket for switch | 1 |