

POWER TAKE-OFF **3.2.74.1.**

FOR GEARBOX :

CHRYSLER-BARREIROS 813, 815
 HINO 800-6C - 900-6S, 10D - MC - ME - MF
 NISSAN MPS 60B - TMH 402, 402B, 412, 425,
 462, 464
 MITSUBISHI M8S2x5-10,060/5,441



Technical data: refer to transmission application manual.

OUTPUT TORQUE:

20 kgm. (increase of 50% for intermittent service).

WEIGHT: kg 8

3.2.74.1.X.XX.0.X

BASIC SERIAL NUMBER

SHIFTING

1 = PNEUMATIC
2 = MECHANICAL

COMPANION FLANGE FOR REMOTE TRANSMISSION

0 = NO OPTION

1 = SPICER 1120 CODE 2.05.054.0000

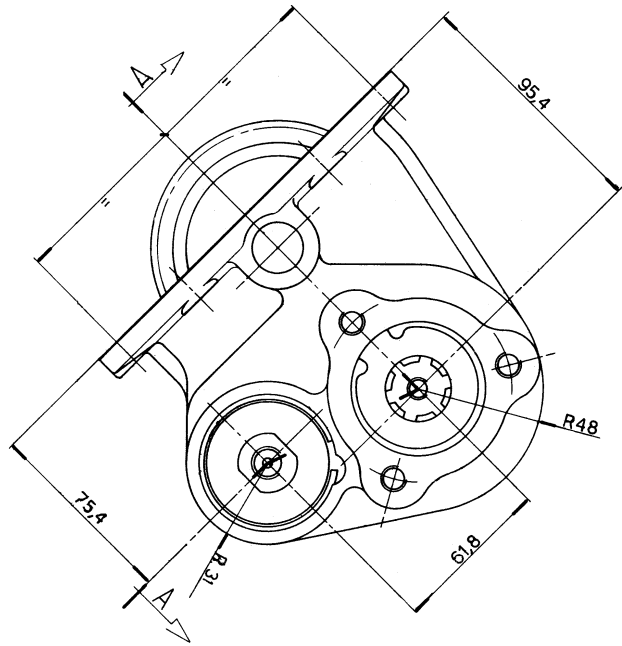
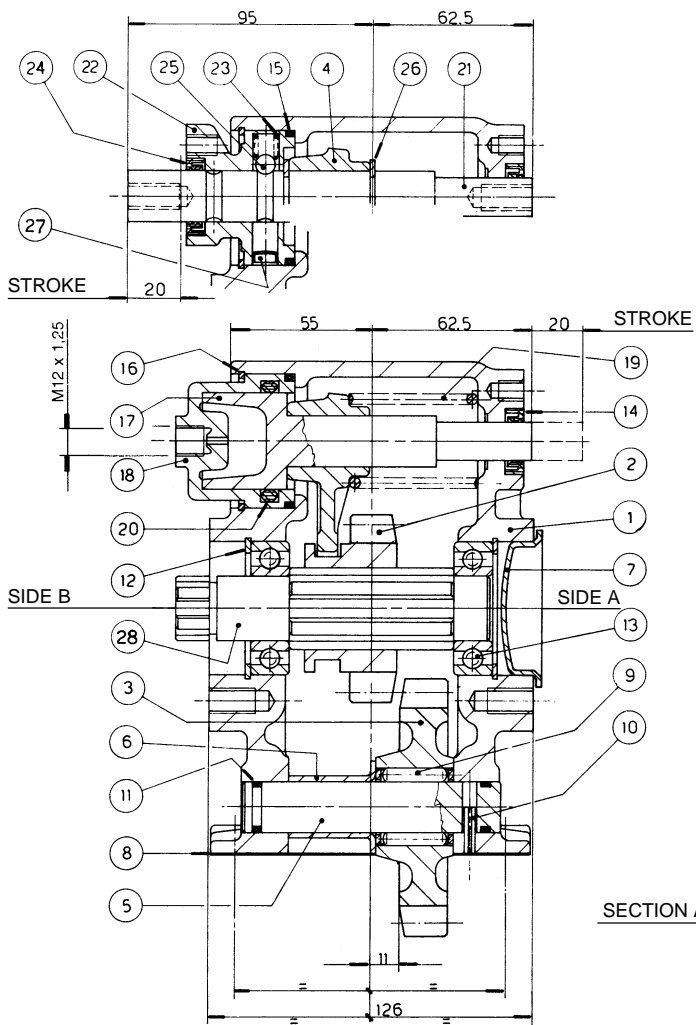
3 = DIN 00 CODE 2.05.056.0000

OUTPUT SHAFT OPTION

OUTPUT SHAFT OPTION

DOUBLE OUTPUT SHAFT OPTION

DESCRIPTION	CODE		POSSIBLE COMBINATIONS	CODE
	SIDE A	SIDE B		
For remote transmission (see chart X group A)	01	02	01 + 02 = 11	
Direct mounting PZB pumps-3 bolt mtg. flange (see chart Y type A)	03	04	03 + 04 = 12	
			01 + 04 = 15	
			03 + 02 = 19	



REF.	CODE	DESCRIPTION	QT.
1	1.01.02.057.00	Housing	1
2	1.11.07.070.00	Gear 13 T	1
3	1.11.01.052.00	Gear 18 T	1
4	1.22.01.030.00	Fork	1
5	1.14.01.043.00	Shaft	1
6	1.26.01.055.00	Spacer	1
7	0.12.01.044.00	Plug 52x7	1
8	1.29.01.001.00	Gasket PTO/gearbox SAE 6 bolt/metr.0,5	1
9	0.10.06.005.00	Needle cage K20x30x30	1
10	0.05.02.001.00	Roll pin 4x18 UNI 6873	1
11	0.08.02.003.00	O-Ring OR 119	2
12	0.07.02.004.00	Circlip 52i UNI 7437	2
13	0.10.01.001.00	Bearing 6205	2
14	0.08.01.004.00	Seal 15x26x7	1
15	0.08.02.056.00	O-Ring OR 3187	1

REF.	CODE	DESCRIPTION	QT.
16	0.07.05.002.00	Circlip SB52	1
17	1.21.01.002.00	Piston 218B/4	1
18	1.08.01.001.00	Cylinder 218B/5	1
19	1.28.01.002.00	Coil spring 216/3	1
20	0.08.02.010.00	O-Ring OR 6150	1
21	1.14.03.001.00	Shaft 218B/6	1
22	1.25.03.010.00	Bushing	1
23	1.28.01.022.00	Coil spring	1
24	0.08.01.005.00	Seal 20x30x7	1
25	0.11.01.002.00	Ball 3/8"	1
26	0.07.03.001.00	Circlip RS15 UNI 7434	2
27	0.12.01.021.00	Cover FIAT 1/43282/01	1
28	1.13.01.013.00	Shaft 502PU/7 (single output)	1
	1.13.02.018.00	Shaft (double output)	1

FITTING ON NISSAN GEARBOX

