

POWER TAKE-OFF

3.2.26.3.

FOR GEARBOX :

VOLVO R50 - R51 - R52 - R61 - R62
MR61 - MR62 - MR62B
SR61 - SR62



Technical data: refer to transmission application manual.

OUTPUT TORQUE:

25 kgm. (increase of 50% for intermittent service).

WEIGHT: kg. 9,3

3.2.26.3.1.XX.0.X

BASIC SERIAL NUMBER

OUTPUT SHAFT OPTION

COMPANION FLANGE FOR REMOTE TRANSMISSION

0 = NO OPTION

1 = SPICER 1120 CODE 2.05.054.0000

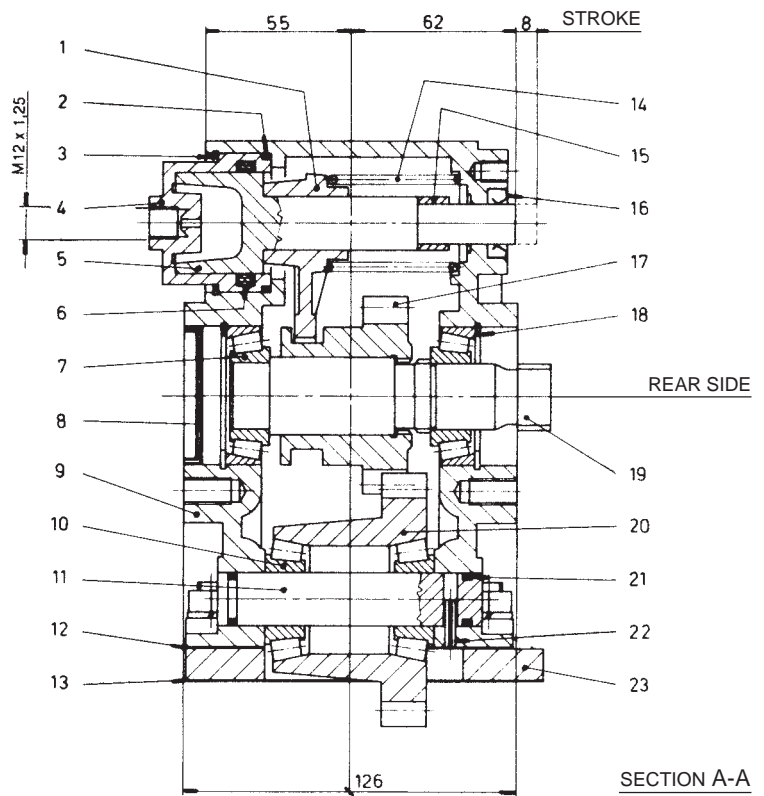
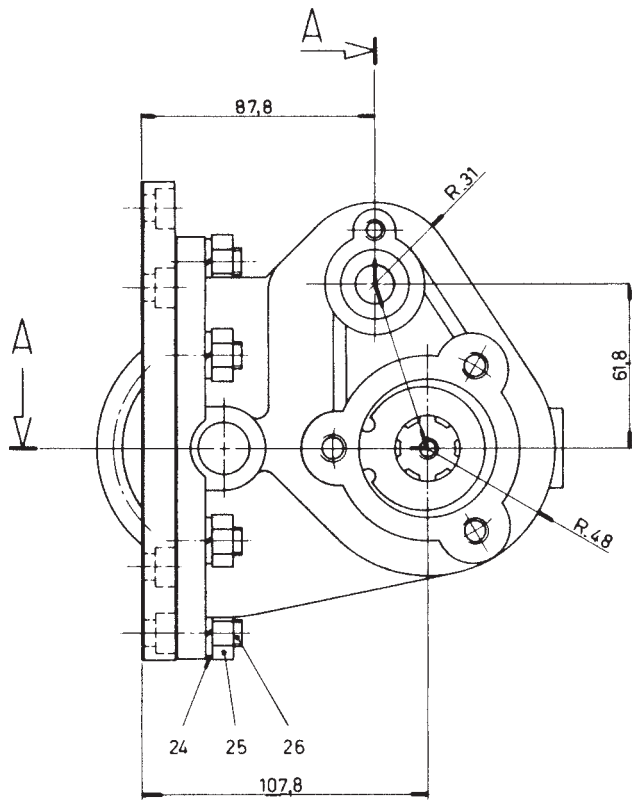
2 = SPICER 1300 CODE 2.05.055.0000

3 = DIN 00 CODE 2.05.056.0000

6 = DIN 10 CODE 2.05.077.0000

OUTPUT SHAFT OPTION

DESCRIPTION	CODE
For remote transmission (see chart X group A)	02
Direct mounting PZB pumps-3 bolt mtg. flange (see chart Y type A)	04



REF.	CODE	DESCRIPTION	QT.
1	1.22.01.030.00	Fork	1
2	0.08.02.056.00	O-Ring OR 3187	1
3	0.07.05.002.00	Circlip SB52	1
4	1.08.01.001.00	Cylinder 218B/5	1
5	1.21.01.002.00	Piston 218B/4	1
6	0.08.02.010.00	O-Ring OR 6150	1
7	0.10.05.007.00	Bearing 30205	2
8	0.12.01.044.00	Plug 52x7	1
9	1.01.02.057.00	Housing	1
10	0.10.05.002.00	Bearing 30304	2
11	1.14.01.043.00	Shaft	1
12	1.29.01.001.00	Gasket PTO/gearbox SAE 6-bolt/metr. 0,5	1
13	1.29.01.007.00	Gasket PTO/gearbox	1
14	1.28.01.002.00	Coil spring 216/3	1
15	1.26.01.098.00	Spacer	1
16	0.08.01.004.00	Seal 15x26x7	1
17	1.11.07.096.00	Gear 16 T	1
18	0.07.02.004.00	Circlip 52i UNI 7437	2
19	1.13.01.132.00	Shaft	1
20	1.11.01.077.00	Gear 20 T	1
21	0.08.02.003.00	O-Ring OR 119	2
22	0.05.02.001.00	Roll pin 4x18 UNI 6873	1
23	1.07.01.005.00	Adapter Volvo gearbox/6-bolt SAE 726/2	1
24	0.04.02.003.00	Lockwasher 10,5 UNI 1751	6
25	0.03.01.003.00	Hex nut M10x1,25 UNI 5588 CL RES 8	6
26	0.02.01.001.00	Stud M10x1,25x25 UNI 5910 CL RES 8.8	6