



No. 1 in Transport Hydraulics

12V - TV003 - A 24V - TV004 - A

15 LITRE TANK AND VALVE KIT



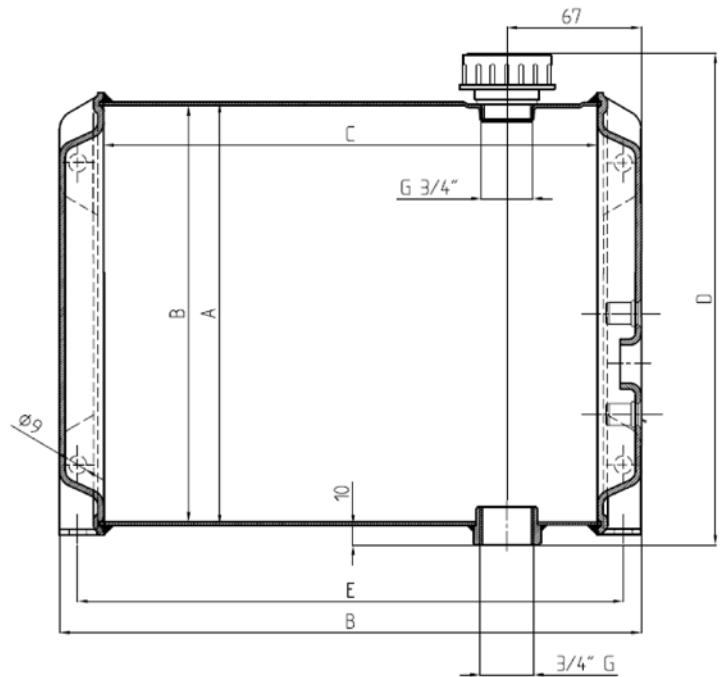
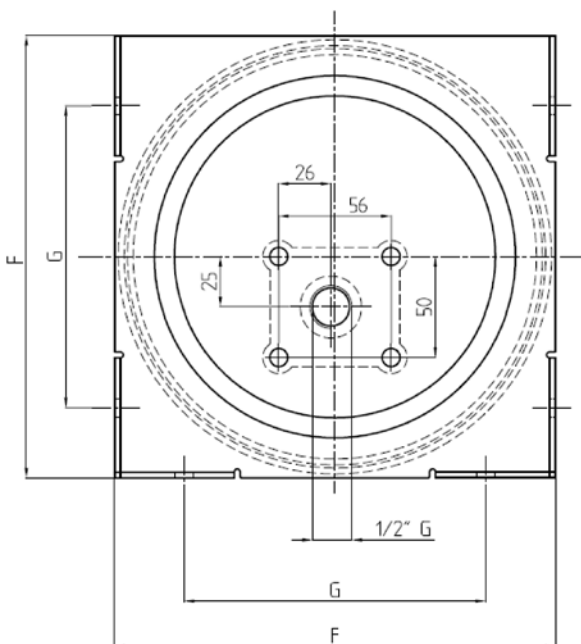
Features:

- ✓ 15 Litre Tank
- ✓ 12V or 24V Electric Tip Valve
- ✓ Filler Breather

Scope of Supply

- | | | |
|----|--------------|------------------|
| 1. | 7160590000 | 15Lt Tank |
| 2. | 73106400130 | 12V Tip Valve or |
| | 73106500130 | 24V Tip Valve |
| 3. | 03DKIT005000 | Valve Mount Kit |
| 4. | FB-3/4P | Filler Breather |

* Kit supplied unassembled



- | | | |
|---------|---------|---------|
| A = 210 | D = 245 | G = 150 |
| B = 207 | E = 472 | |
| C = 446 | F = 220 | |

**Assembly Instructions
INS188**