

POWER TAKE-OFF

4.2.8.0.2

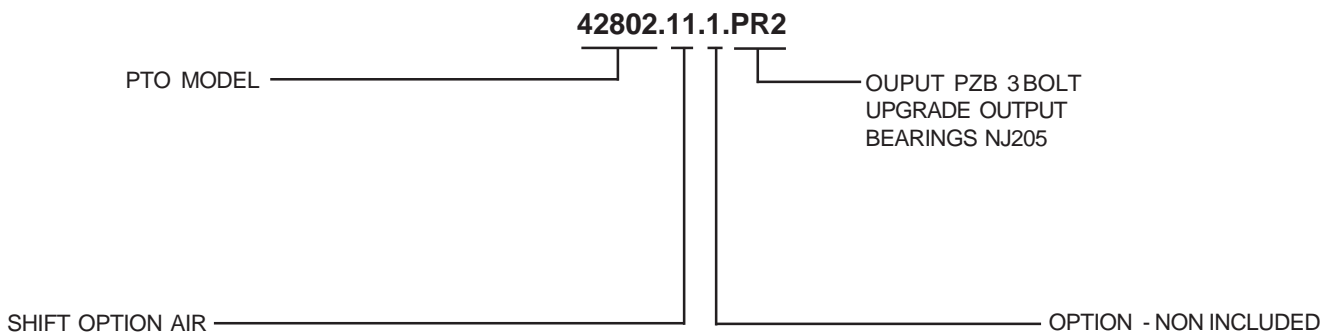


FOR TRANSMISSION :

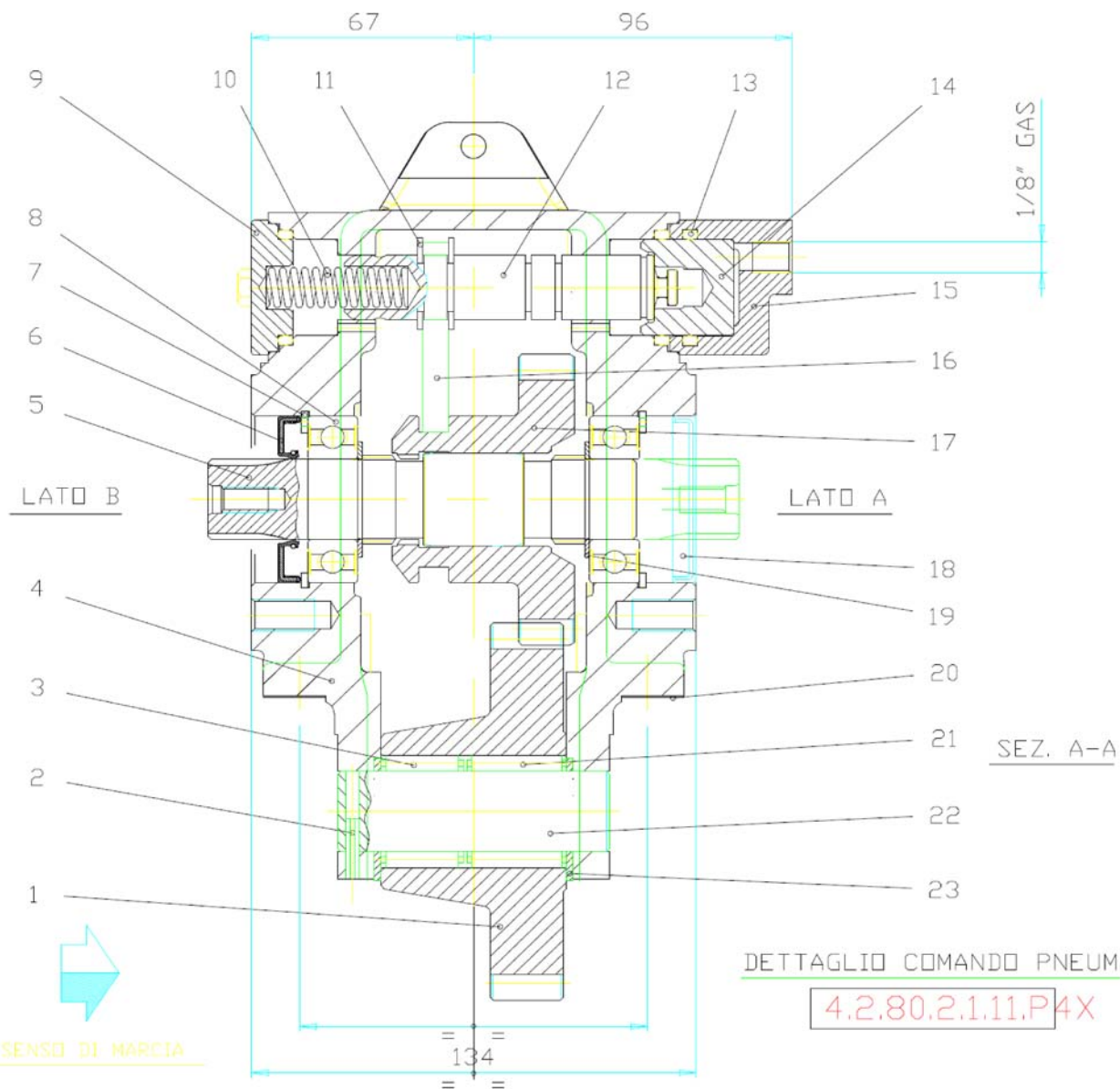
Isuzu MLD 6A	7Q
	7R
6B	
6C	
6D	

MOUNT: LHS
 OUTPUT TORQUE: 28KGM
 OUTPUT: 3 Bolt PZB
 SHIFTER: Air
 WEIGHT: 10kg
 SWITCH KIT: Merit 205E5890000
 TDS 205E5900000

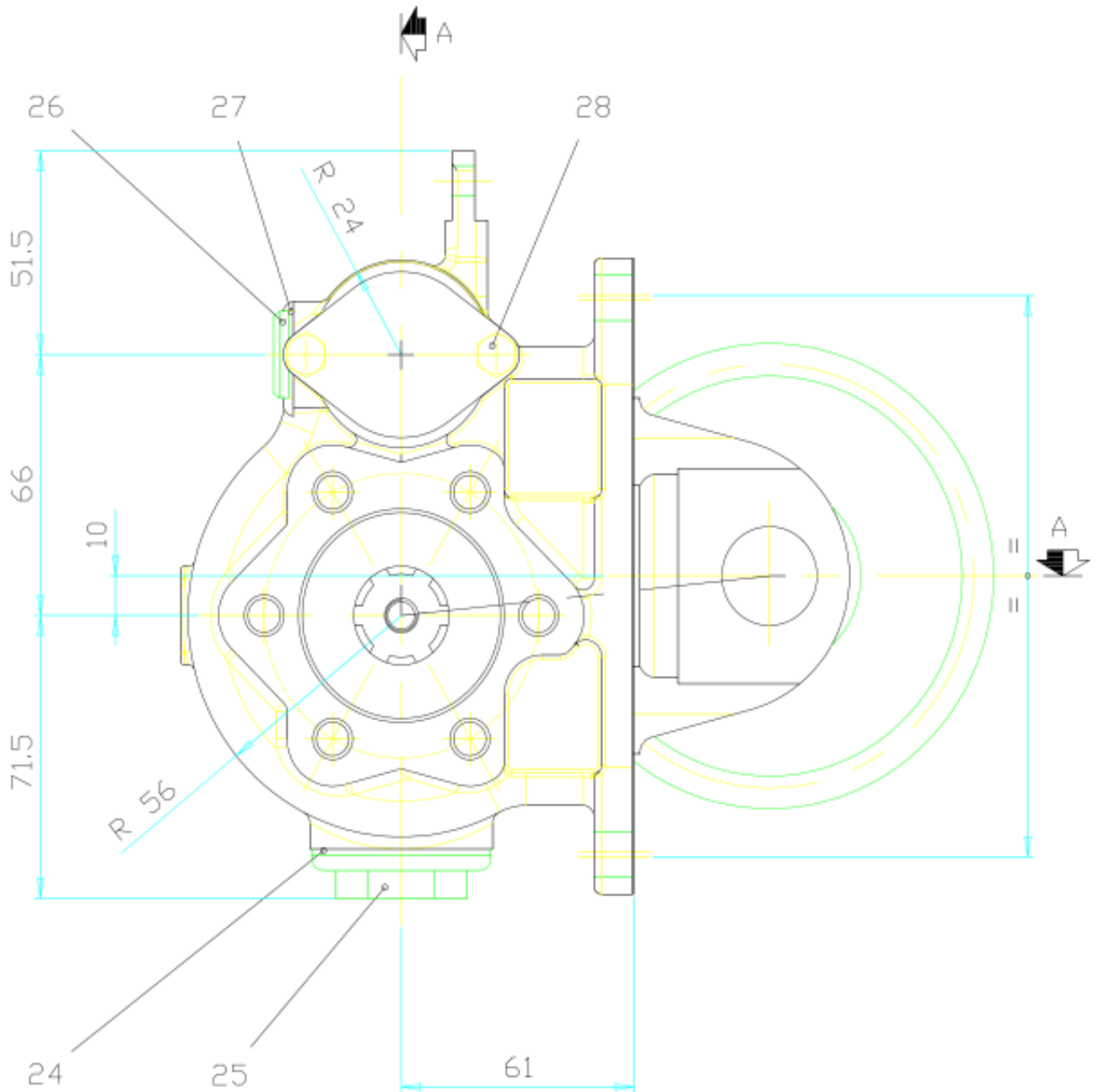
PTO KIT: ISU009
 ISU010
 ISU016
 SEAL KIT: SKPT035
 REPAIR KIT: RKPT017/HD



OUTPUT OPTIONS	CODE
Direct mounting PZB pumps-3 bolt mounting flange (see chart Y type A)	205P0020000
Direct mounting PZB pumps-4 bolt ISO flange (see chart Y type C)	205X0450000
Flange K1300 Spicer for remote drive (see chart X group A)	205F5970000



REF	CODE	DESCRIPTION	QT.	REF	CODE	DESCRIPTION	QT.
1	1110122600	Top Gear Z28	1	13	0080202800	ORing OR 4118	3
2	0050200100	Roll Pin 4x18	1	14	1210190100	Piston	1
3	0100600800	Needle Bearing K25x35x25	1	15	1080150100	Cap	1
4	1010216400	Housing	1	16	1220105000	Fork	1
5	1130117800	Shaft	1	17	1110718400	Bottom Gear Z21	1
6	0080102500	Seal 25x52x7	1	18	0120104400	Cap 52x7	1
7	0070200400	Circlip 521 UNI 7437	2	19	1260110700	Shim Spacer	2
8	0100101700	Bearing 6205 2RS	2	20	1290150100	Gasket 0.5mm	1
9	1240190200	Cap	1	21	0100600700	Needle Bearing K25x35x30	1
10	1280150100	Spring	1	22	1140104800	Shaft	1
11	0070300100	Circlip RS15 UNI 7434	2	23	1270103300	Spacer	2
12	1140310000	Shaft	1				



REF	CODE	DESCRIPTION	QT.	REF	CODE	DESCRIPTION	QT.
24	0089900500	Seal	1	27	0040113600	Washer 16x22x1.5	2
25	0120107400	Plug 1" Gas	1	28	0010102200	Bolt M6x12	2
26	0120106200	Plug M16x1.5	2				