



Hydraulic Winch

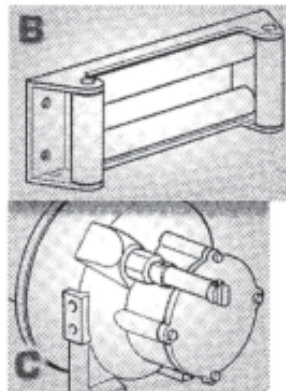
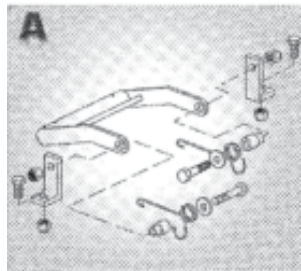
20000lb Planetary Winch

- ◆ One stage planetary winch entirely bathed in oil
- ◆ Rated for 10000kg
- ◆ High line speed
- ◆ Automatic safety brake
- ◆ Hydraulic over center valve standard



Order Code	Description
EPH X 10000	20,000 lb Planetary Winch with Air Clutch
	└─ Direction of Rotation viewed from motor end A = Clockwise B = Anticlockwise

ACCESSORIES



- A** Galvanised level winder
 - B** Heavy-duty galvanised roller fairlead
 - C** Air cylinder shifter
- Wire Rope & Hook (16mmx30mt)

ORDER CODE - LW/EPH10000

ORDER CODE - RF/EPH10000

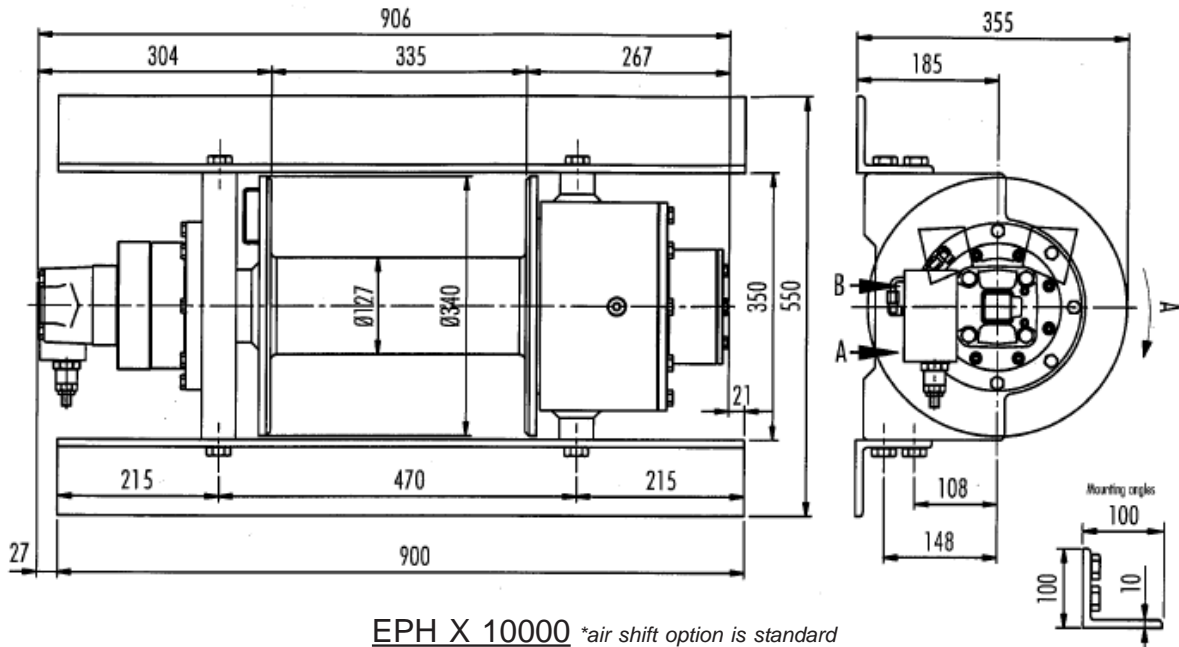
ORDER CODE - AK/EPH10000

ORDER CODE - B2070/16MMX30MT/EH



Hydraulic Winch

Dimensional Data



Technical Data

Drum	Weight without cable	Wire rope capacity	Max.wire rope capacity	Recommended Wire Rope Grade
	Kg	14mm	12mm	
EPH X 10000	TBA	75	90	2070 35 x 7 wire inner core

Maximum Pressure	200Bar	Maximum Flow	75 Lt.min	
-------------------------	--------	---------------------	-----------	--

Ratio	Wire Rope Size	Layer	Line Pull
	(mm)		(Kg)
22.1: 1	16	1	10000
		2	8170
		3	6900
		4	5980
		5	5270
		6	4720

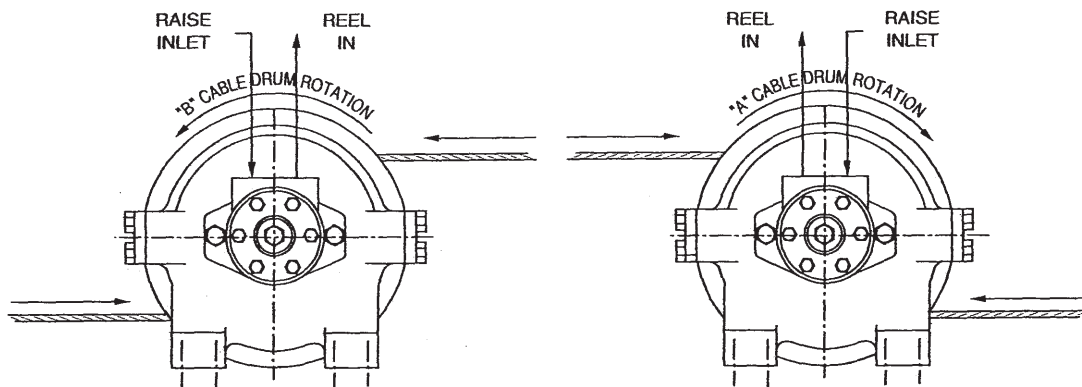
Oil Supply	Drum Revolution	Line Speed Mt/min				
		Layers				
Lt/Min	RPM	1	2	3	4	5
40	10.6	4.9	5.9	6.9	8.0	9.1
60	16.3	7.0	9.0	10.5	12.0	14.0
75	20.5	9.0	11.0	13.0	15.5	17.5

Technical detail also available for 14mm and 15mm Wire Rope options

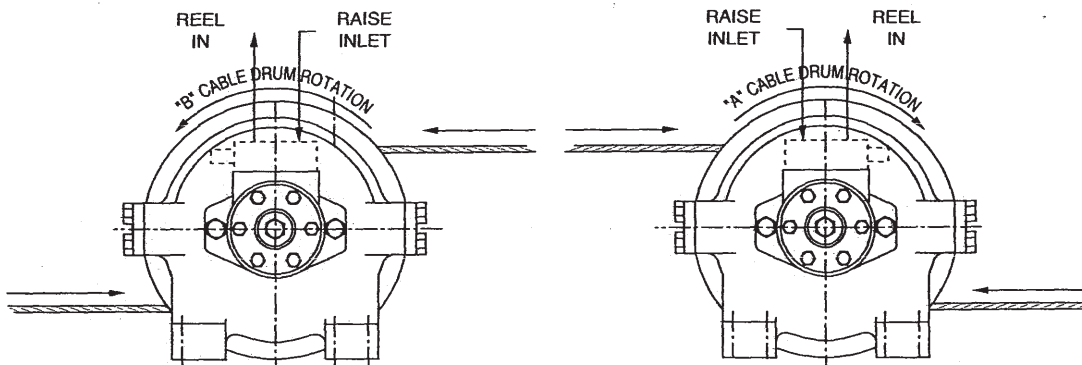
WARNING: Designed for TOWING ONLY. Not designed for transporting people or lifting.

Hydraulic Motor Linking

INSTALLATION WITHOUT OVER-CENTRE VALVE



INSTALLATION WITH OVER-CENTRE VALVE



⚠ WARNING

Do not reverse cable rotation, it may damage winch gears.