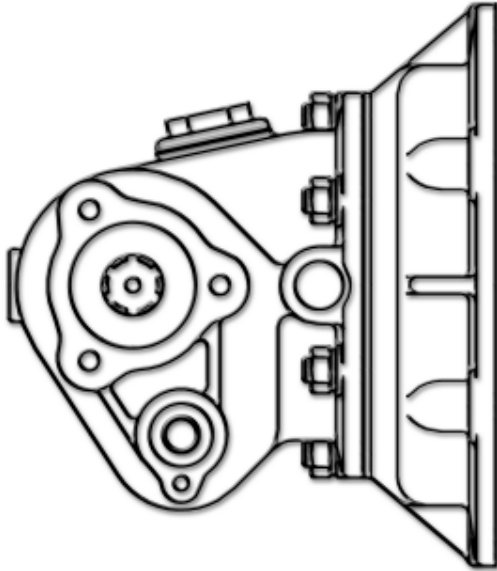


POWER TAKE-OFF

3.2.81.7.1

FOR GEARBOX :

MITSUBISHI M130S2x5



Technical data: refer to transmission application manual.
OUTPUT TORQUE:
25 kgm. (increase of 50% for intermittent service).

WEIGHT: kg. 9,5

3.2.81.7.1.XX.0.X

BASIC SERIAL NUMBER

OUTPUT SHAFT OPTION

COMPANION FLANGE FOR REMOTE TRANSMISSION

0 = NO OPTION

1 = SPICER 1120 CODE 2.05.054.0000

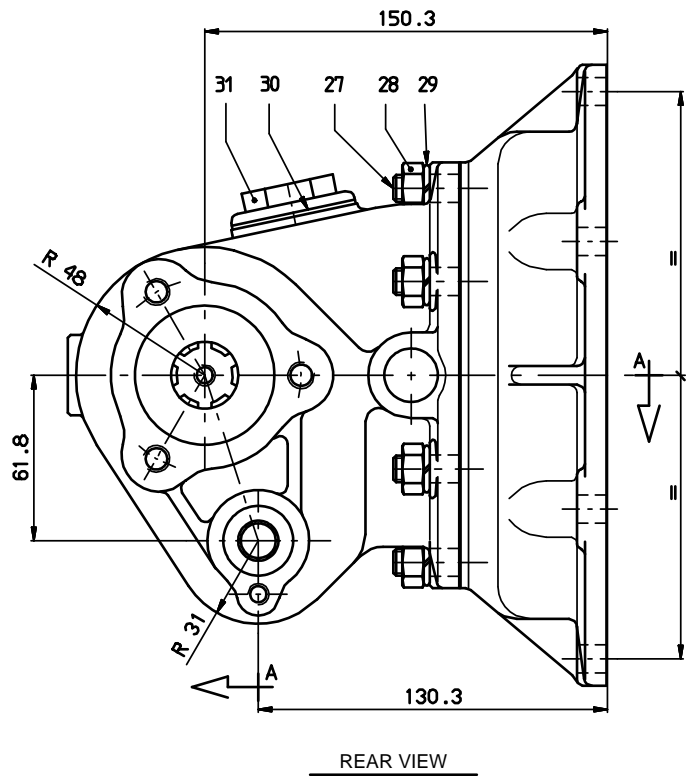
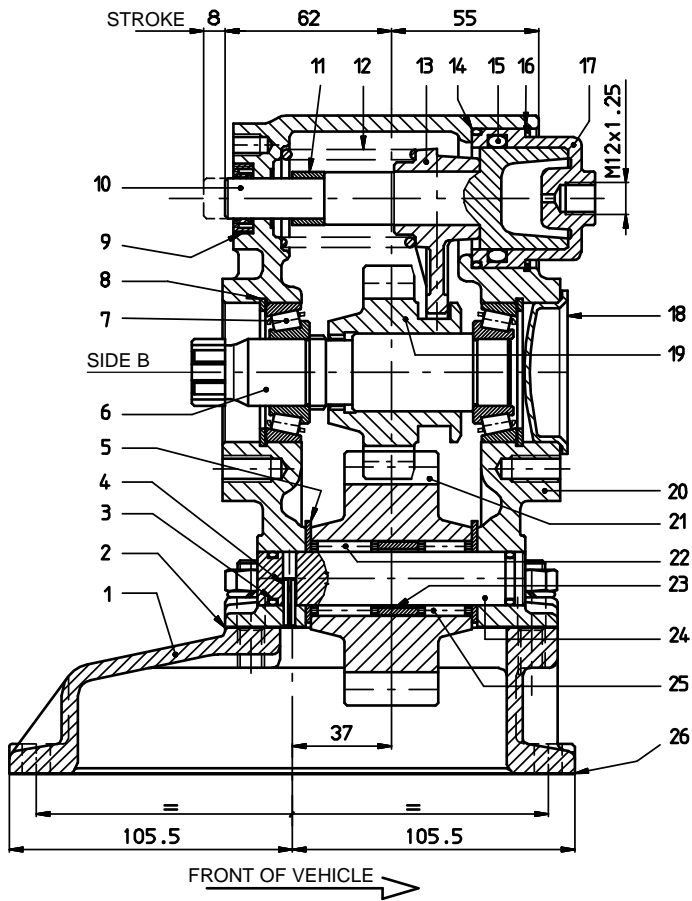
2 = SPICER 1300 CODE 2.05.055.0000

3 = DIN 00 CODE 2.05.056.0000

6 = DIN 10 CODE 2.05.077.0000

OUTPUT SHAFT OPTION

DESCRIPTION	CODE
For remote transmission (see chart X group A)	02
Direct mounting PZB pumps-3 bolt mtg. flange (see chart Y type A)	04



SECTION A-A

REF.	CODE	DESCRIPTION	QT.
1	1.07.01.198.00	Adapter PTO/gearbox	1
2	1.29.01.001.00	Gasket PTO/gearbox SAE 6 bolt/metr.0,5	1
3	0.08.02.003.00	O-Ring OR 119	2
4	0.05.02.001.00	Roll pin 4x18 UNI 6873	1
5	1.27.01.036.00	Washer 43x20,2x2	2
6	1.13.01.132.00	Shaft	1
7	0.10.05.007.00	Bearing 30205	2
8	0.07.02.004.00	Circlip 52i UNI 7437	2
9	0.08.01.004.00	Seal 15x26x7	1
10	1.21.01.002.00	Piston 218B/4	1
11	1.26.01.098.00	Spacer	1
12	1.28.01.002.00	Coil spring 216/3	1
13	1.22.01.030.00	Fork	1
14	0.08.02.056.00	O-Ring OR 3187	1
15	0.08.02.010.00	O-Ring OR 6150	1
16	0.07.05.002.00	Circlip SB52	1
17	1.08.01.001.00	Cylinder 218B/5	1
18	0.12.01.044.00	Plug 52x7	1
19	1.11.07.172.00	Gear 12 T	1
20	1.01.02.151.00	Housing	1
21	1.11.01.195.00	Gear 15 T	1
22	0.10.06.004.00	Needle cage K20x28x25	1
23	1.26.01.056.00	Spacer	1
24	1.14.01.043.00	Shaft	1
25	0.10.06.003.00	Needle cage K20x28x20	1
26	1.29.01.138.00	Gasket PTO/gearbox	1
27	0.02.02.004.00	Stud M10x25 UNI 5911	6
28	0.03.01.004.00	Hex nut M10 UNI 5588 CL RES 10	6
29	0.04.02.003.00	Lockwasher 10,5 UNI 1751	6
30	0.08.99.005.00	Gasket 1"	1
31	0.12.01.074.00	Retainer 1"	1