



HYDRAULIC COMPONENTS & POWER TAKE OFFS

POWER TAKE OFF

3.2.94.2



FOR GEARBOX:

MACK T2050, T2060, T2070
 T2070-LONG (main case), T2080
 T2090, T2100, T2180 (main case)
 TX 2060, T2070A (main case)

Technical data: Refer to transmission application manual

POWER TAKE-OFF
3.2.94.2

OUTPUT TORQUE
Kgm 40

WEIGHT:

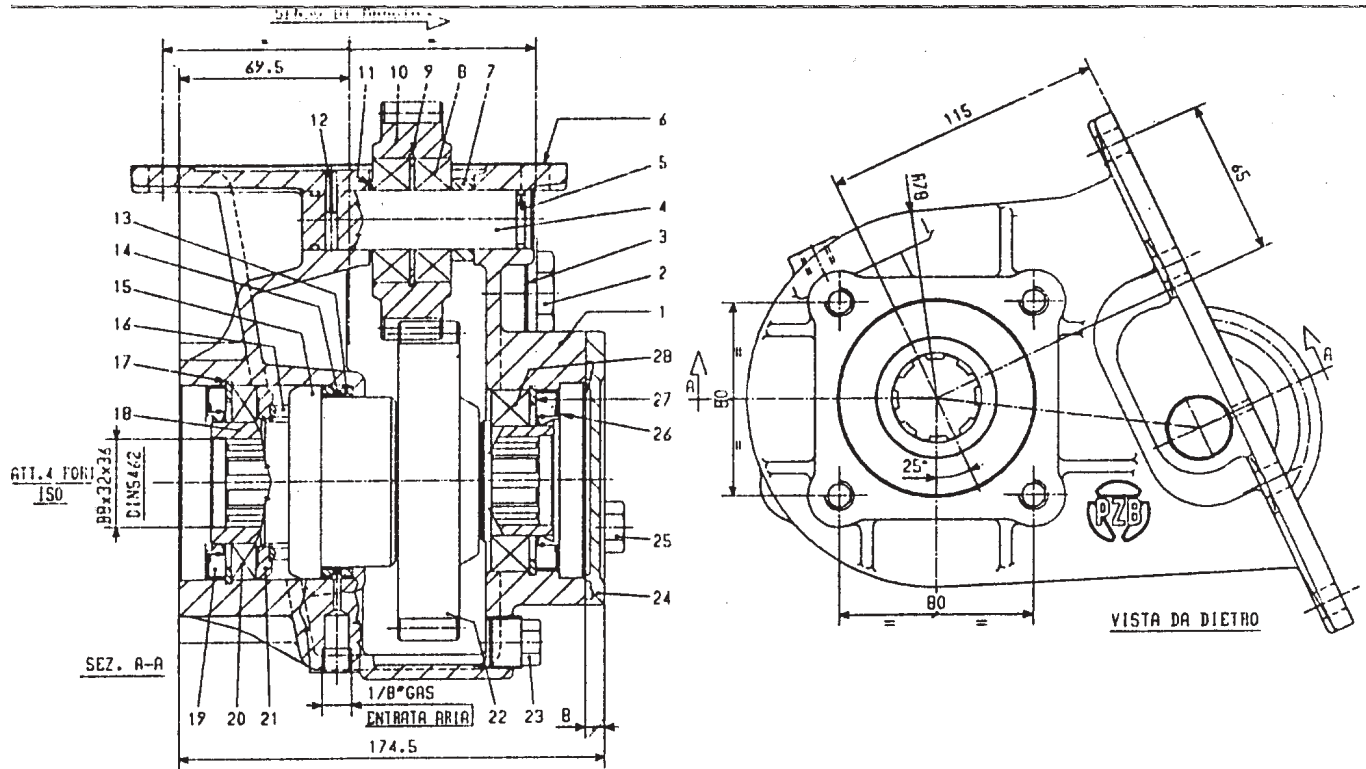
3.2.94.2.1.0000

BASIC SERIAL NUMBER

OUTPUT SHAFT OPTION

DESCRIPTION

For remote transmission DIN 00/SPICER 1120 (see chart X group F)	KIT 2.05.379.0000
For remote transmission DIN10/SPICER 1300 (see chart X group F)	KIT 2.05.380.0000
Direct mounting PZB pumps-3 bolt mtg flange (see chart Y type M)	KIT 2.05.324.0000
Direct mounting ISO 4 bolt mtg flange pumps (see chart Y type H)	KIT 2.05.087.0000



REF	CODE	DESCRIPTION	QTY	REF	CODE	DESCRIPTION	QTY
1	1.01.021.40.00	Housing	1	15	1.21.02.044.00	Piston	1
2	0.12.01.074.00	Plug	1	16	1.28.01.075.00	Coil Spring	1
3	0.08.99.005.00	Washer	1	17	0.07.02.012.00	Circlip	1
4	1.14.01.023.00	Shaft	1	18	1.13.02.041.00	Shaft	1
5	0.08.02.014.01	VITON O-Ring	2	19	0.08.01.023.00	Seal	1
6	1.29.01.021.00	Gasket	1	20	0.10.01.046.00	Bearing	1
7	1.26.01.095.00	Gear Spacer	1	21	1.26.01.090.00	Ring	1
8	0.10.05.007.00	Bearing (3.2.94.2)	2	22	1.11.07.153.00	Gear	1
9	0.07.02.004.00	Circlip	1	23	0.12.01.002.00	Plug	1
10	1.11.01.014.00	Gear	1	24	1.24.01.095.00	Cover	1
11	1.26.01.107.00	Gear Spacer	3	25	0.01.01.081.00	Bolt	4
12	0.05.02.001.00	Roll Pin	1	26	0.08.01.078.00	Seal	1
13	0.08.02.119.00	VITON O-Ring	2	27	0.07.02.044.00	Circlip	1
14	0.08.02.135.00	VITON O-Ring	1	28	0.10.01.016.00	Bearing	1

Please Note: Old housing p/n 1010212900 will be replaced by 1010214000 with 2 x 1260110700