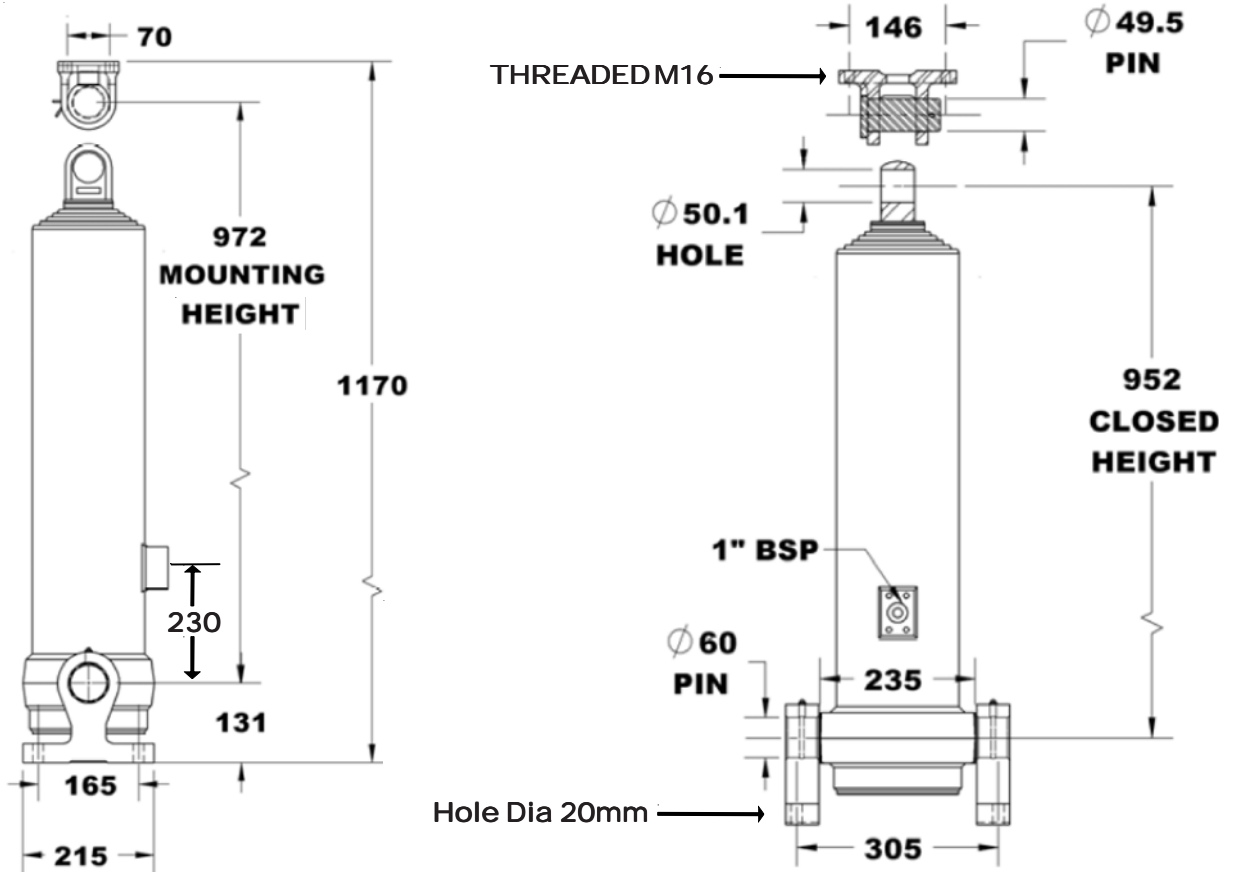


**MEGARAM TARPING HOIST  
1625-2009-3450**



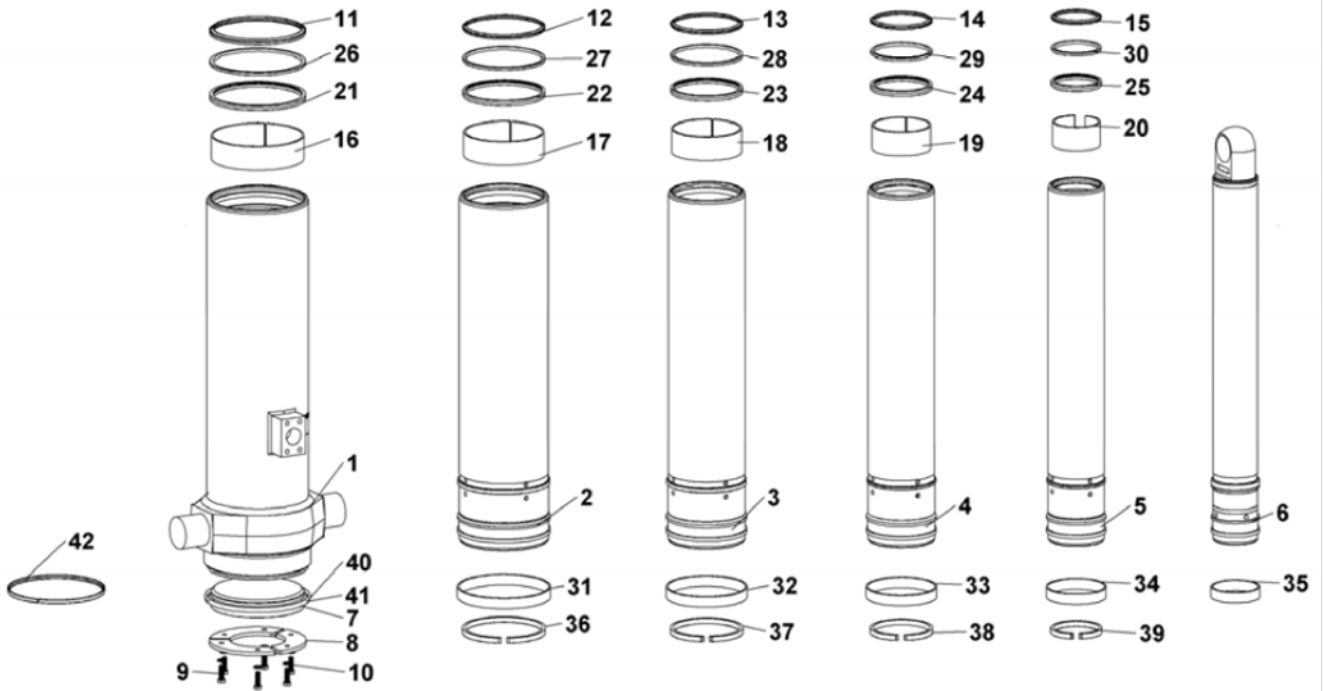
MODEL	NO OF STAGES	LIFT (mm) STROKE	LIFT CAPACITY (TONNES)	PIVOT LENGTH (mm)		OIL Lt.	WEIGHT Kg.	CLOSED HEIGHT (mm)
				47 $\frac{1}{2}$ <sup>0</sup> TIP	50 <sup>0</sup> TIP			
1625-2009-3450	5	3450	23	4285	4080	42	199	1170

Model Number	Oil Capacity (Liters)		Weight (kg.)
	Fill	Extend	
1625-2009-3450	5.0	41.5	199

Stage sizes (mm)				
1	2	3	4	5
162	140	121	102	81

**This telescopic cylinder will not prevent your equipment from rollover or lateral tilt. The cylinder is strictly a lifting device and is not intended to be a structural member of the unit. Telescopic cylinders are not to be used as a means of stabilizing the unit. See Mounting Instructions for proper: Mounting/Operation/Brackets/Oil Specifications**

Model Number	Stroke (mm) Per Stage				
	1	2	3	4	5
1625-2009-3450	676	683	689	695	702



ITEM NO.	PART NUMBER	DESCRIPTION	QTY	KIT
1	2CTA6 3/8-23-37 1/8"	CYLINDER TUBE ASS'Y	1	
2	2PA6 3/8-385-35 3/8"	162 MM PLUNGER ASS'Y	1	
3	2PA5 1/2-385-35 5/8"	140 MM PLUNGER ASS'Y	1	
4	2PA4 3/4-385-35 7/8"	121 MM PLUNGER ASS'Y	1	
5	2PA4-391-36 1/8"	102 MM PLUNGER ASS'Y	1	
6	2LPA3 3/16-165-38 7/8"	LAST PLUNGER ASS'Y	1	
7	1CH-698	CYLINDER HEAD	1	
8	1SP-185	SPACER	3	
9	1SC-14-5	SCREW	6	
10	1LW-12-2	LOCKWASHER	6	
11	2WR-57-6 3/8	WIPER RING	1	S
12	2WR-57-5 1/2	WIPER RING	1	S
13	2WR-57-4 3/4	WIPER RING	1	S
14	2WR-57-4	WIPER RING	1	S
15	2WR-57-3 3/16	WIPER RING	1	S
16	2GR-62-6 3/8	GUIDE RING	1	R
17	2GR-62-5 1/2	GUIDE RING	1	R
18	2GR-62-4 3/4	GUIDE RING	1	R
19	2GR-62-4	GUIDE RING	1	R
20	2GR-62-3 3/16	GUIDE RING	1	R
21	2UC-171-6 3/8	U-CUP	1	S

ITEM NO.	PART NUMBER	DESCRIPTION	QTY	KIT
22	2UC-171-5 1/2	U-CUP	1	S
23	2UC-171-4 3/4	U-CUP	1	S
24	2UC-171-4	U-CUP	1	S
25	2UC-171-3 3/16	U-CUP	1	S
26	2BUR-18-6 3/8	BACK-UP RING	1	S
27	2BUR-18-5 1/2	BACK-UP RING	1	S
28	2BUR-18-4 3/4	BACK-UP RING	1	S
29	2BUR-18-4	BACK-UP RING	1	S
30	2BUR-18-3 3/16	BACK-UP RING	1	S
31	2WG-6-6 3/8	WEAR GUIDE	1	R
32	2WG-6-5 1/2	WEAR GUIDE	1	R
33	2WG-6-4 3/4	WEAR GUIDE	1	R
34	2WG-6-4	WEAR GUIDE	1	R
35	2WG-6-3 3/16	WEAR GUIDE	1	R
36	2RR-73-6 3/8	RETAINING RING	1	R
37	2RR-73-5 1/2	RETAINING RING	1	R
38	2RR-73-4 3/4	RETAINING RING	1	R
39	2RR-73-4	RETAINING RING	1	R
40	1OR-2-365	O-RING	1	S
41	1BUR-8-365	BACKUP RING	1	S
42	1TL-44	162 MM CTA GROOVE FILLER TOOL	1	S

PART NUMBER	DESCRIPTION	ALL ITEMS
SK-1625-2009	SEAL KIT	S
MRK-1625-2009C	MARJOR REPAIR KIT	S & R