



HYDRAULIC COMPONENTS & POWER TAKE OFFS



TANK TOP FILTER (RETURN)

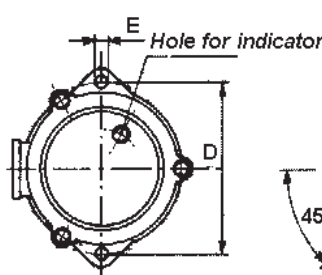
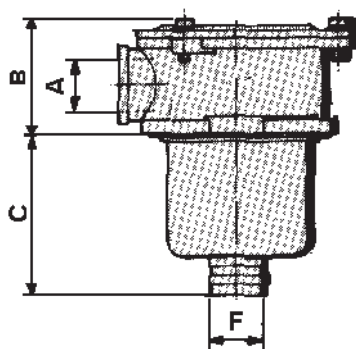
FEATURES:

- 25µ filtration
- Maximum working pressure 3 Bar
- Working temperature -25°C to +100°C
- Resin impregnated paper element

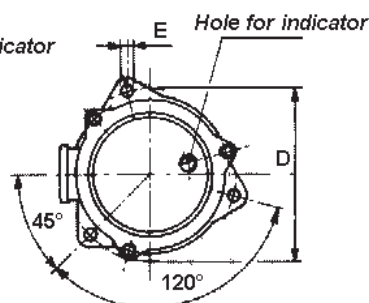
FILTER	FILTER ELEMENT	PORT SIZE	MAXIMUM FLOW RATE	SUIT TANK	APPLICATION
RTF-1025	RTFE-1025	1" BSP	85 l/m	TK011SP & TK013SP	CRANE/MOTOR TIPPER
RTF-1825	RTFE-1825	1¼" BSP	200 l/m	TK014SP & TK015SP	

Caution: Lowering loaded body at full speed may damage filter

DIMENSIONS



RTF-1025



RTF-1825

FILTER	A (BSP)	C	B	D	E	F
RTF-1025	1"	143	72	115	8.5	28
RTF-1825	1¼"	246	89	175	10.7	40



IN-LINE FILTER (RETURN)

FEATURES:

- Built-in bypass valve
- Maximum working pressure 3 Bar
- Working temperature -25°C to +100°C
- Resin impregnated paper element
- 10µ + 25µ filtration

FILTER	FILTER ELEMENT	PORT SIZE	MAXIMUM FLOW RATE	APPLICATION
FA06-10	FE06-10	3/4" BSPP	85 l/m	CRANES/MOTORS CRANES/MOTORS TIPPER
FA15-10	FE15-10	1¼" BSPP	185 l/m	
FA06-25	FE06-25	3/4" BSPP	85l/m	

Caution: Lowering loaded body at full speed may damage filter