

**POWER TAKE-OFF**

**3.2.96.3.**

**FOR GEARBOX :**

ISUZU MYY 5A



Technical data: refer to transmission application manual.

**OUTPUT TORQUE:**

20 kgm. (increase of 50% for intermittent service).

**WEIGHT:** kg. 9,5

**3.2.96.3.X.XX.1.X**

BASIC SERIAL NUMBER

SPECIAL OPTIONS

**0** = STANDARD OPTION

**1** = CON INTERRUETTORE MONTATO (SOLO CON VERSIONE A COMANDO PNEUMATICO)

VERSION

**1** = PNEUMATIC CONTROL

**3** = MECHANICAL PUSH-PULL CONTROL

**4** = ELECTRIC CONTROL

**6** = ELECTRO-HYDRAULIC CONTROL

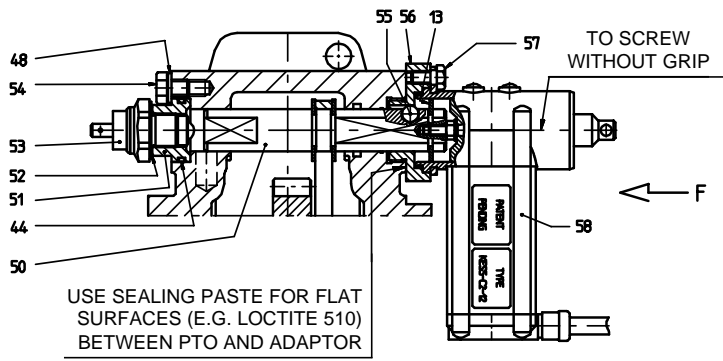
OUTPUT SHAFT OPTION

**OUTPUT SHAFT OPTION**

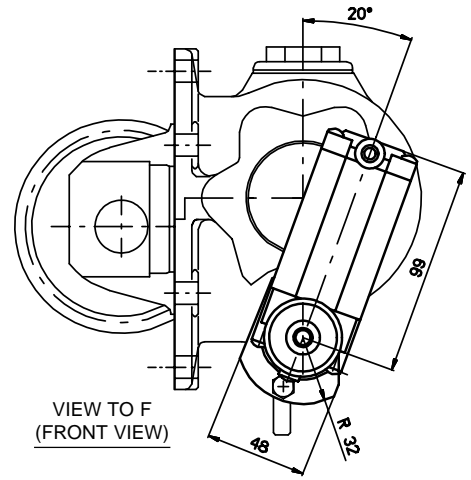
DESCRIPTION	CODE
For remote transmission (see chart X group A)	<b>02</b>
Direct mounting PZB pumps-3 bolt mtg. flange (see chart Y type A)	<b>04</b>

**DETAIL ELECTRO-HYDRAULIC SHIFTING**

CODE 3.2.96.3.6



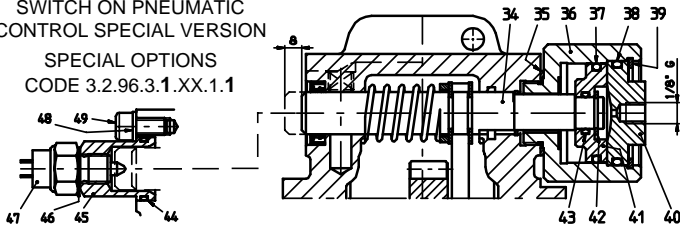
**VIEW OF THE ACTUATOR ELECTRO-HYDRAULIC MOUNTED**



**DETAIL PNEUMATIC SHIFTING**

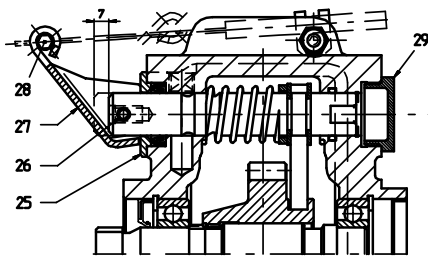
CODE 3.2.96.3.1

VIEW OF THE MOUNTED SWITCH ON PNEUMATIC CONTROL SPECIAL VERSION  
SPECIAL OPTIONS  
CODE 3.2.96.3.1.XX.1.1

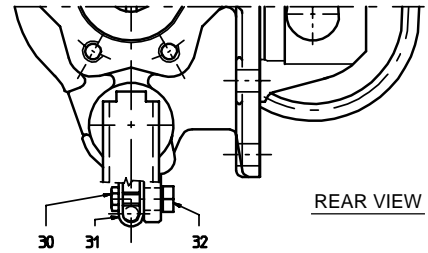
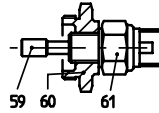


**DETAIL MECHANICAL SHIFTING**

CODE 3.2.96.3.3

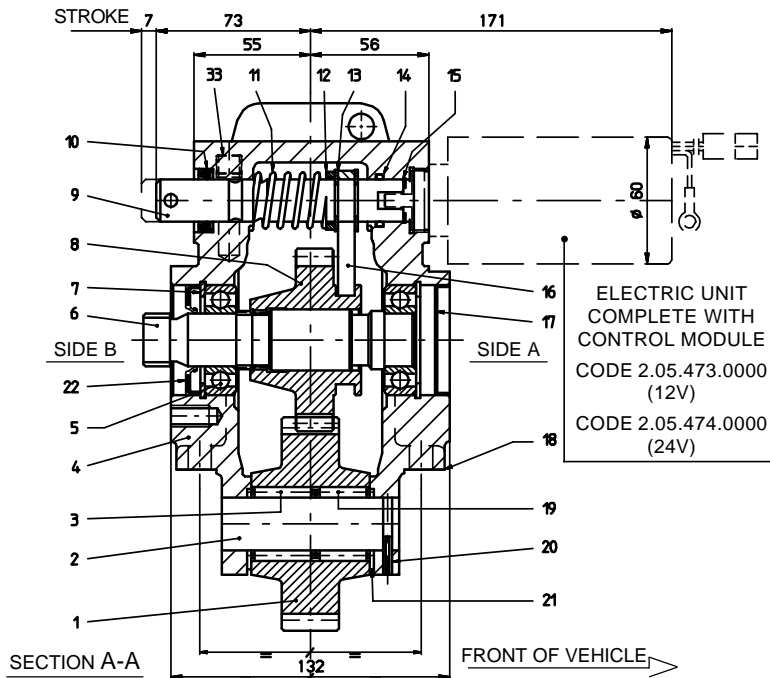


OPTIONAL  
KIT SWITCH  
CODE 2.05.470.0000  
(FOR MECHANICAL SHIFTING)

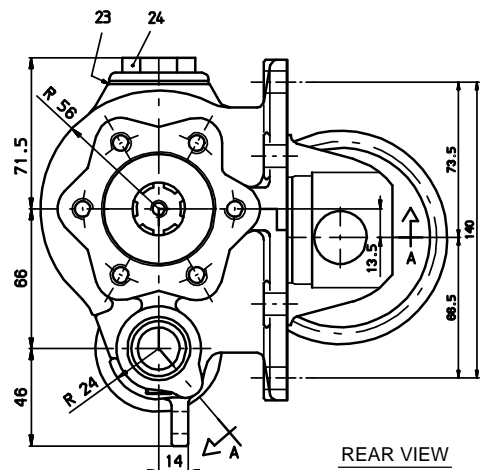


**DETAIL ELECTRIC SHIFTING**

CODE 3.2.96.3.4



ELECTRIC UNIT COMPLETE WITH CONTROL MODULE  
CODE 2.05.473.0000 (12V)  
CODE 2.05.474.0000 (24V)



REF.	CODE	DESCRIPTION	QT.
1	1.11.01.213.00	Gear 30 T	1
2	1.14.01.048.00	Shaft	1
3	0.10.06.007.00	Needle cage K25x35x30	1
4	1.01.02.154.00	Housing	1
5	0.10.01.001.00	Bearing 6205	2
6	1.13.01.155.00	Shaft	1
7	0.07.02.004.00	Circlip 52i UNI 7437	2
8	1.11.07.179.00	Gear 26 T	1
9	1.14.03.087.00	Shaft	1
10	0.08.01.005.00	Seal 20x30x7	1
11	1.28.01.084.00	Coil spring	1
12	1.26.01.110.00	Spacer	1
13	0.07.03.001.00	Circlip RS15 UNI 7434	3
14	0.08.02.014.00	O-Ring OR 3081	1
15	0.07.02.049.00	Circlip 20i UNI 7437	1
16	1.22.01.050.00	Fork	1
17	0.12.01.044.00	Screw plug 52x7	1
18	1.29.01.501.00	Gasket SAE 6F sp.0,5	1
19	0.10.06.008.00	Needle cage K25x35x25	1
20	0.05.02.001.00	Roll pin 4x18 UNI 6873	1
21	1.27.01.033.00	Washer 43x25,2x2	2
22	0.08.01.001.00	Seal 25x52x8	1
23	0.08.99.005.00	Gasket 1"	1
24	0.12.01.074.00	Retainer 1" Gas	1
25	1.27.02.090.00	Washer	1
26	0.05.02.019.00	Roll pin 6x28 UNI 6873	1
27	1.23.00.041.00	Lever	1
28	0.99.00.132.00	Clamp with head screw art.1713	1
29	0.12.01.100.00	Screw plug M30	1
30	0.01.01.027.00	Capscrew TE M6x20 UNI 5739 CL RES 8.8	1
31	1.99.00.181.00	Hose clamp	1
32	1.30.02.020.00	Hex nut	1
33	0.12.01.015.00	Plug M12x1,5 DIN 906	1
34	1.14.03.094.00	Shaft	1
35	0.04.01.119.00	Washer 1"	1
36	1.08.02.027.00	Cylinder	1
37	0.08.02.107.00	O-Ring OR 144 60° Shore	1
38	0.08.02.004.00	O-Ring OR 147	1
39	0.07.02.003.00	Circlip 49i UNI 7437	1
40	1.24.01.004.00	Cover mod4/2 G1/8	1
41	1.21.02.049.00	Piston	1
42	0.07.01.027.00	Circlip AS15x1,5 DIN 471	1
43	0.08.02.003.00	O-Ring OR 119	1
44	0.08.02.013.00	O-Ring OR 3100	2
45	1.99.00.338.00	Bracket for switch	1
46	0.04.01.108.00	Washer 14,5x20x0,5	1
47	0.99.00.160.00	Indicator switch	1
48	0.04.01.065.00	Washer 8,4 DIN 433	2
49	0.01.03.002.00	Capscrew TCEI M8x16 UNI 5931 CL RES 8.8	1
50	1.14.03.098.00	Shaft KES5	1
51	1.99.00.337.00	Bracket for switch	1
52	0.04.01.151.00	Washer	1
53	0.99.00.393.00	Indicator switch (N.A.)	1
54	0.01.01.029.00	Capscrew TE M8x10 UNI 5739 CL RES 8.8	1
55	0.11.01.001.00	Ball 5/16	1
56	1.07.02.045.00	Adapter for KES5 on PTO	1
57	0.01.01.022.00	Capscrew TE M6x12 UNI 5739 CL RES 8.8	2
58	0.00.99.082.00	KES5-C3 Actuator 12V	1
<b>OPTIONAL: KIT SWITCH 2.05.470.0000</b>			
59	0.11.02.001.00	Dowel 8x12	1
60	1.30.03.056.00	Cover	1
61	0.99.00.226.00	Indicator switch	1