



# HYDRAULIC COMPONENTS & POWER TAKE OFFS



## POWER TAKE OFF **4.2.92.2**

FOR GEARBOX:  
FULLER ratio 1:1

## POWER TAKE OFF **4.2.92.4**

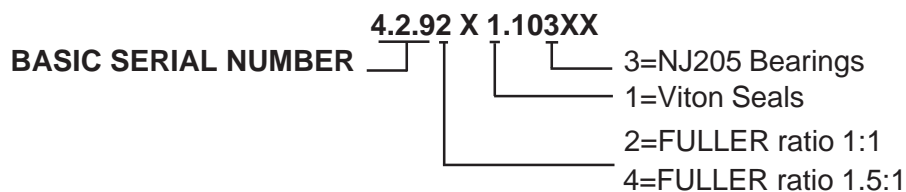
FOR GEARBOX:  
FULLER ratio 1.5:1

\*Also see PTO 3292

\*For PTO part numbers 4292210020 and 4292410020 contact Mega Pacific Tech Dept.

Technical data: refer to transmission application manual

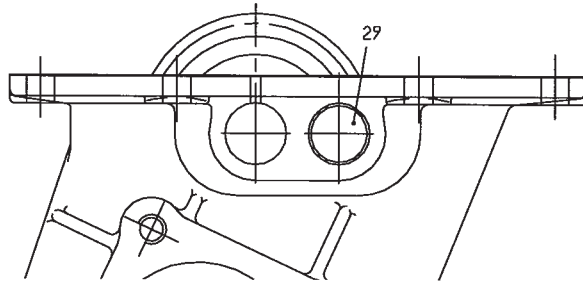
POWER TAKE OFF	OUTPUT TORQUE	WEIGHT
4.2.92.2	Kgm 40	15.2 kg.
4.2.92.4	Kgm 35	14.7 kg.



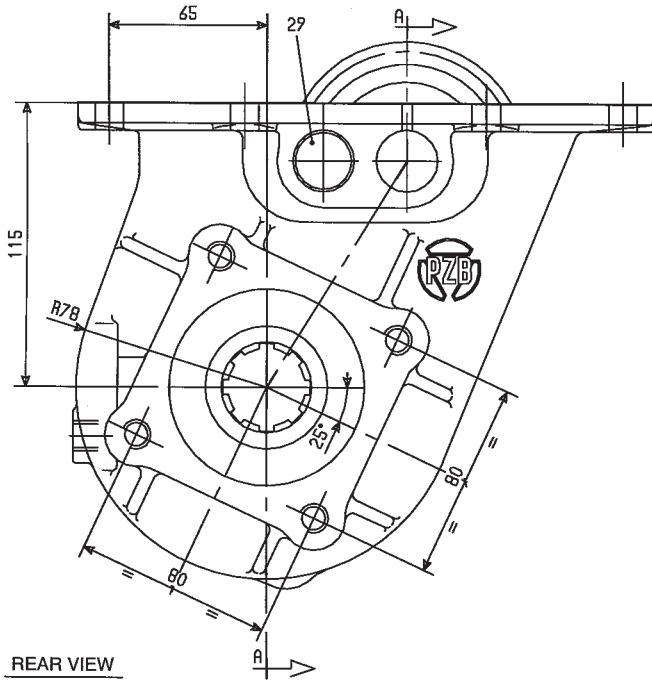
### OUTPUT SHAFT OPTIONS

#### DESCRIPTION

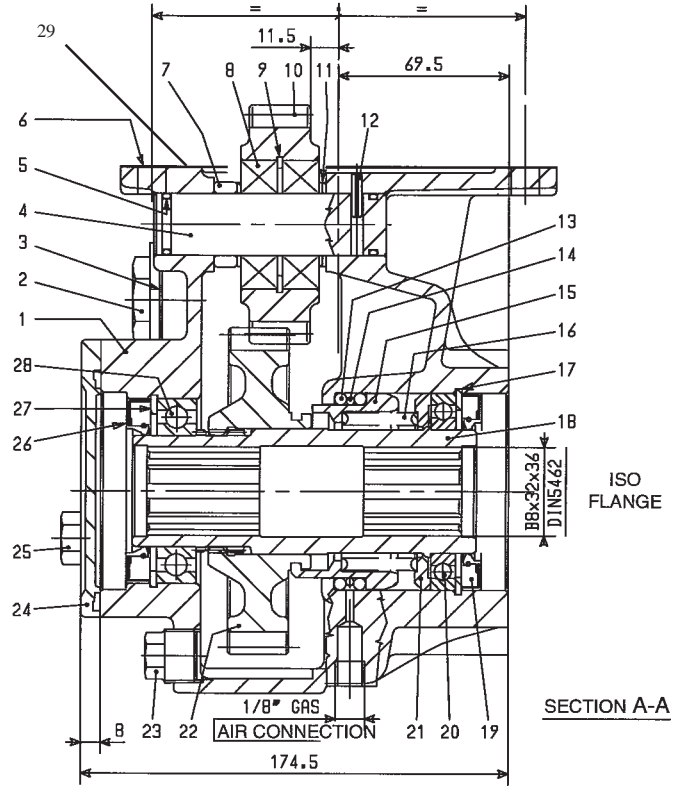
For remote transmission DIN 10/SPICER 1300 (see chart X group F)	Kit 2.05.380.0000
Direct mounting PZB Pumps 3 bolt mtg. Flange (see chart Y type M)	Kit 2.05.324.0000
Direct mounting ISO 4 bolt mtg. Flange pumps (see chart Y type H)	Kit 2.05.087.0000



DETAIL POWER TAKE-OFF CODE 3.2.92.3/4



REAR VIEW



SECTION A-A

**SEAL KIT - SKPT037**  
**REPAIR KIT - RKPT003**

REF	CODE	DESCRIPTION	QTY
1	1.01.02.140.00	Housing	1
2	0.12.01.074.00	Plug	1
3	0.08.99.005.00	Gasket	1
4	1.14.01.023.00	Shaft	1
5	0.08.02.014.01	VITON O-Ring	2
6	1.29.01.021.00	Gasket	1
7	1.26.01.095.00	Spacer (PTO 3.2.92.2/4)	1
8	0.10.050.07.00	Bearing (PTO 3.2.92.2/4)	2
9	0.07.02.004.00	Circlip	1
10	1.11.01.131.00	Gear	1
11	1.26.01.107.00	Spacer (PTO 3.2.92.1)	1
12	0.05.02.001.00	Roll Pin	1
13	0.08.02.119.00	VITON O-Ring	2
14	0.08.02.135.00	VITON O-Ring	1
15	1.21.02.044.00	Piston	1

REF	CODE	DESCRIPTION	QTY
16	1.28.01.075.00	Coil Spring	1
17	0.07.02.012.00	Circlip	1
18	1.13.02.041.00	Shaft	1
19	0.08.01.095.00	Seal 50x80x8 Viton	1
20	0.10.01.046.00	Bearing	1
21	1.26.01.090.00	Ring	1
22	1.11.07.144.00	Gear (PTO 3.2.92.2)	1
	1.11.07.145.00	Gear (PTO 3.2.92.4)	1
23	0.12.01.002.00	Drain Plug	1
24	1.24.01.095.00	Cover	2
25	0.01.01.081.00	Capscrew TE	4
26	0.08.01.094.00	Seal 45x75x8 Viton	1
27	0.07.02.044.00	Circlip	1
28	0.10.01.016.00	Bearing	1
29	1.26.01.107.00	Spacer (PTO 32921)	1

Please Note: Old housing p/n 1010212900 will be replaced by p/n 1010214000 with 2 x 1260110700