

POWER TAKE-OFF

3.2.36.2.

FOR GEARBOX :

MERCEDES G3/65
G3/90



Technical data: refer to transmission application manual.

OUTPUT TORQUE:

25 kgm (increase of 50% for intermittent service).

WEIGHT: kg. 10,4

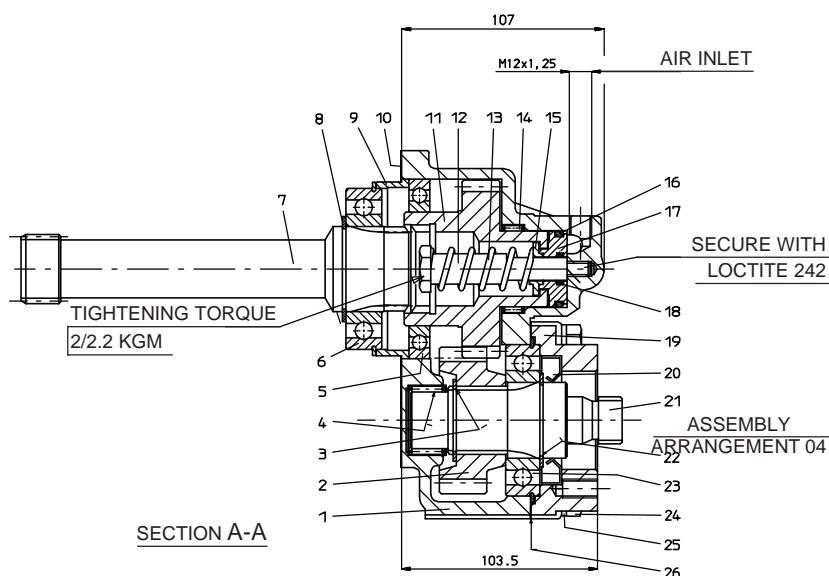
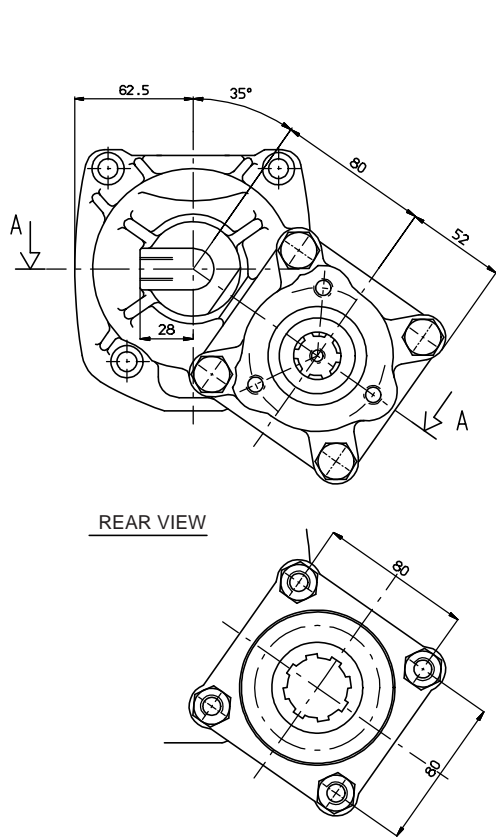
3.2.36.2.1.XX.0.0

BASIC SERIAL NUMBER _____

OUTPUT SHAFT OPTION _____

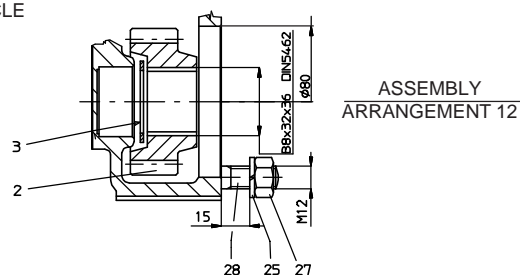
OUTPUT SHAFT OPTION

DESCRIPTION	CODE
For remote transmission (see chart X group A)	04
Direct mounting PZB pumps-3 bolt mtg. flange (see chart Y type A)	04
Direct mounting ISO 4-bolt mtg. flange pumps	12



SECTION A-A

FRONT OF VEHICLE



ASSEMBLY ARRANGEMENT 12

REF.	CODE	DESCRIPTION	QT.
1	1.01.02.085.00	Housing	1
2	1.11.03.095.00	Gear 22 T	1
3	0.07.01.003.00	Circlip 35e UNI 7435	1
4	0.10.07.007.00	Needle cage HK30/20	1
5	0.10.01.033.00	Bearing 16012	1
6	0.10.01.035.00	Bearing 6209NR	1
7	1.13.05.035.00	Shaft	1
8	0.07.01.004.00	Circlip 45e UNI 7435	1
9	1.27.02.083.00	Centering ring	1
10	1.29.01.011.00	Gasket PTO/gearbox	1
11	1.11.10.040.00	Gear 29 T	1
12	2.99.105.0000	Capscrew	1
13	1.28.01.007.00	Coil spring 408A/9	1
14	0.10.07.005.00	Needle cage HK4012	1
15	1.27.02.125.00	Ring	1
16	0.08.02.012.00	O-Ring OR 4131	1
17	1.21.02.040.00	Piston	1
18	0.08.02.002.00	O-Ring OR 115	1
19	1.07.01.007.00	Flange for 3-bolt pump on PTO ISO AS10/11	1
20	0.08.01.070.00	Seal 40x68x10	1
21	1.13.01.125.00	Shaft	1
22	0.07.01.002.00	Circlip 40e UNI 7435	1
23	0.10.01.005.00	Bearing 6208-NR	1
24	0.01.01.024.00	Capscrew TE M12x35 UNI 5739 CL RES 8.8	4
25	0.04.02.004.00	Lockwasher 13 UNI 1751	4
26	1.29.01.013.00	Gasket 735A/6	1
27	0.03.01.006.00	Hex nut M12 UNI 5588 CL RES 10	4
28	0.02.02.031.00	Stud M12x30 UNI 5911 CL RES 8.8	4