

POWER TAKE-OFF **3.2.81.4.**

FOR GEARBOX :

mitsubishi M4S5 - M5S5 - M6S6 - M050S5 - M060S6-OD

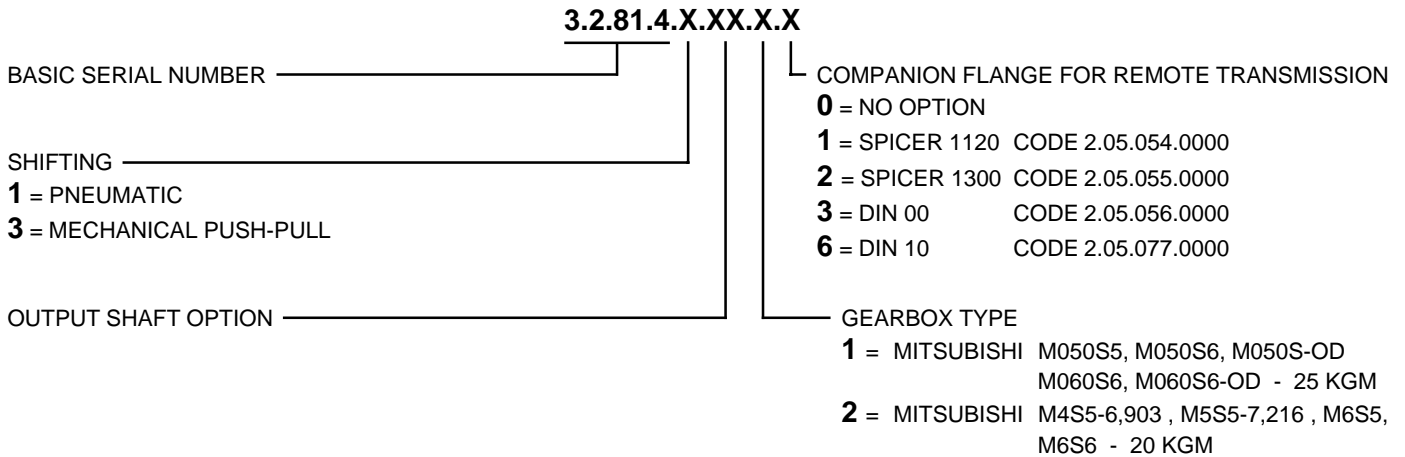


Technical data: refer to transmission application manual.

POWER TAKE-OFF OUTPUT TORQUE

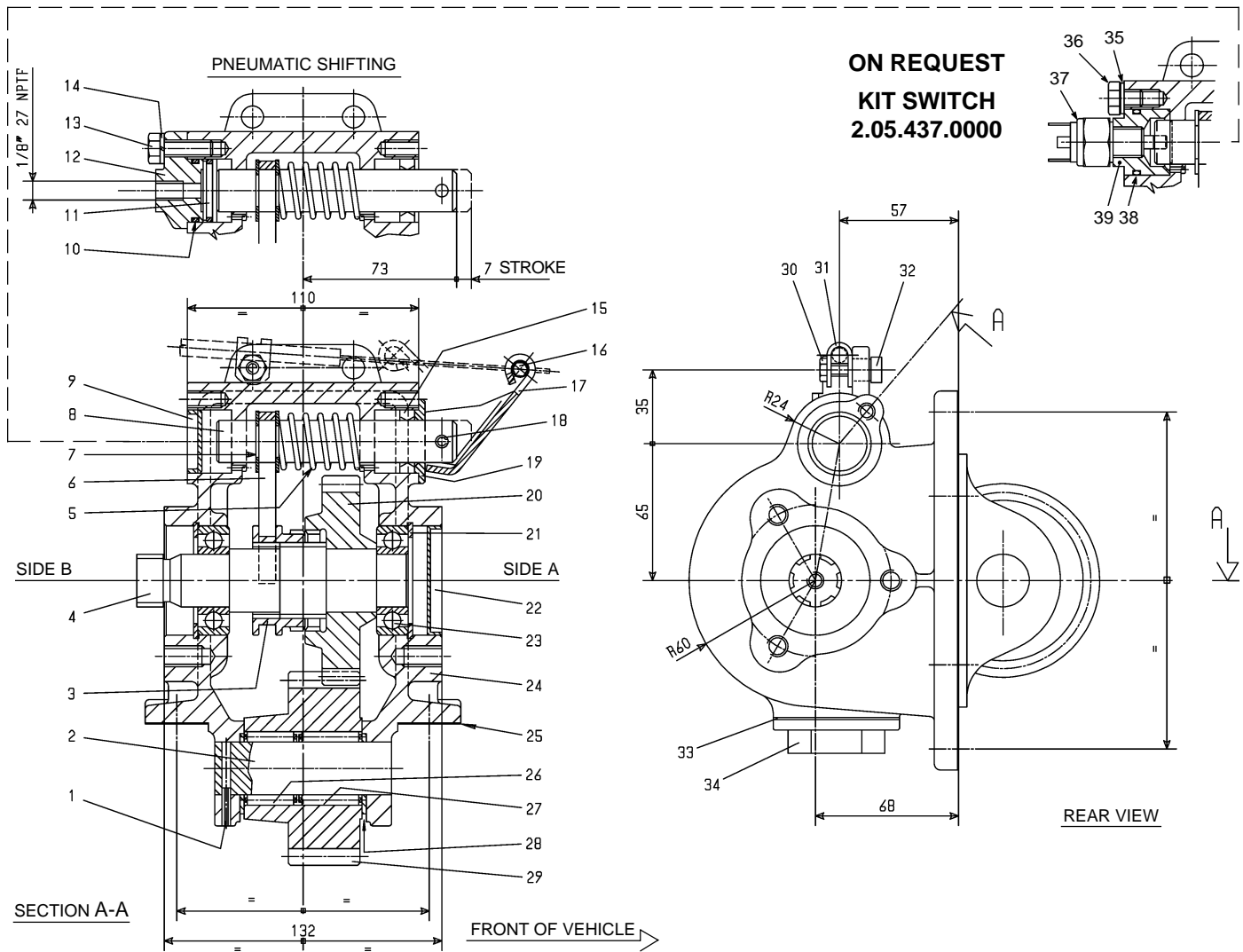
3.2.81.4.X.XX.1.X Kgm 25
3.2.81.4.X.XX.2.X Kgm 20

WEIGHT: kg. 9,550

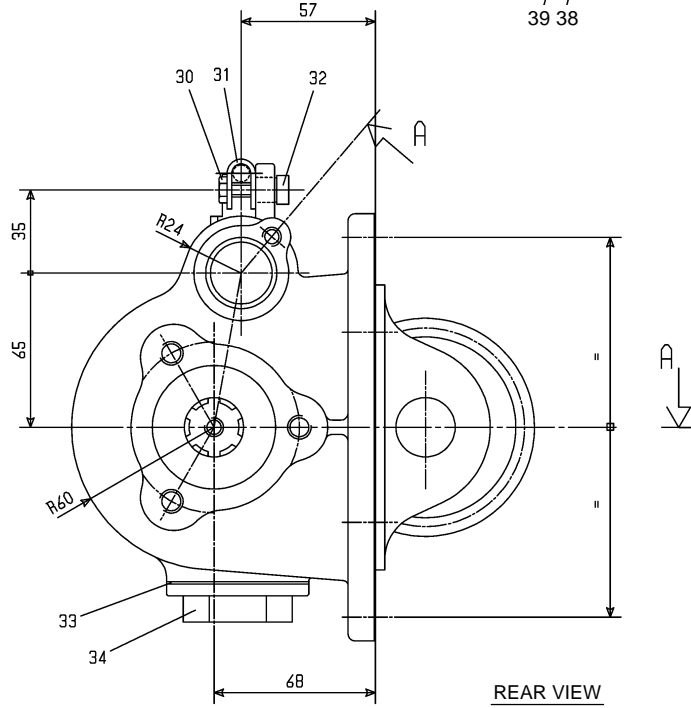
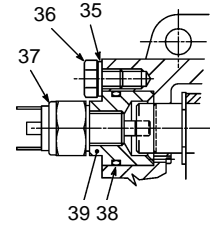


OUTPUT SHAFT OPTION

| DESCRIPTION | CODE | |
|---|-----------|-----------|
| | SIDE A | SIDE B |
| For remote transmission (see chart X group A) | 01 | 02 |
| Direct mounting PZB pumps-3 bolt mtg. flange (see chart Y type A) | 03 | 04 |



**ON REQUEST
KIT SWITCH
2.05.437.0000**



| REF. | CODE | DESCRIPTION | QT. |
|------|----------------|---------------------------------------|-----|
| 1 | 0.05.02.001.00 | Roll pin 4x18 UNI 6873 | 1 |
| 2 | 1.14.01.048.00 | Shaft | 1 |
| 3 | 1.17.02.069.00 | Splined sleeve | 1 |
| 4 | 1.13.01.129.00 | Shaft | 1 |
| 5 | 1.28.01.084.00 | Coil spring | 1 |
| 6 | 1.22.01.050.00 | Fork | 1 |
| 7 | 0.07.03.001.00 | Circlip RS15 UNI 7434 | 2 |
| 8 | 1.14.03.073.00 | Shaft | 1 |
| 9 | 0.12.01.055.00 | Plug 30x7 | 1 |
| 10 | 0.08.02.013.00 | O-Ring OR 3100 | 2 |
| 11 | 1.21.02.033.00 | Piston | 1 |
| 12 | 1.24.01.089.00 | Cover | 1 |
| 13 | 0.01.01.002.00 | Capscrew TE M8x25 UNI 5739 CL RES 8.8 | 1 |
| 14 | 0.04.02.002.00 | Lockwasher 8,4 UNI 1751 | 1 |
| 15 | 0.08.01.005.00 | Seal 20x30x7 | 1 |
| 16 | 0.99.00.132.00 | Clamp with head screw art.1713 | 1 |
| 17 | 1.23.00.041.00 | Lever | 1 |
| 18 | 0.05.02.019.00 | Roll pin 6x28 UNI 6873 | 1 |
| 19 | 1.27.02.090.00 | Washer | 1 |
| 20 | 1.11.10.084.00 | Gear 24 T | 1 |
| 21 | 0.07.02.004.00 | Circlip 52i UNI 7437 | 2 |

| REF. | CODE | DESCRIPTION | QT. |
|---|----------------|---------------------------------------|-----|
| 22 | 0.12.01.044.00 | Plug 52x7 | 1 |
| 23 | 0.10.01.001.00 | Bearing 6205 | 2 |
| 24 | 1.01.02.134.00 | Housing | 1 |
| 25 | 1.29.01.109.00 | Gasket PTO/gearbox | 1 |
| 26 | 1.10.06.008.00 | Needle cage K25x35x25 | 1 |
| 27 | 0.10.06.007.00 | Needle cage K25x35x30 | 1 |
| 28 | 1.27.01.033.00 | Washer 43x25,2x2 | 2 |
| 29 | 1.11.01.083.00 | Gear 22 T | 1 |
| 30 | 0.01.01.027.00 | Capscrew TE M6x20 UNI 5739 CL RES 8.8 | 1 |
| 31 | 1.99.00.181.00 | Hose clamp | 1 |
| 32 | 1.30.02.020.00 | Hex nut | 1 |
| 33 | 0.08.99.003.00 | Gasket 1"1/4 | 1 |
| 34 | 0.12.01.032.00 | Retainer G 1"1/4 | 1 |
| ON REQUEST: KIT SWITCH 2.05.437.0000 | | | |
| 35 | 0.04.01.065.00 | Washer 8,4 DIN 433 | 1 |
| 36 | 0.01.01.029.00 | Capscrew TE M8x10 UNI 5739 CL RES 8.8 | 1 |
| 37 | 0.99.00.226.00 | Indicator switch | 1 |
| 38 | 0.08.02.013.00 | O-Ring OR 3100 | 1 |
| 39 | 1.99.00.290.00 | Bracket for switch | 1 |

INPUT GEAR POSITION

