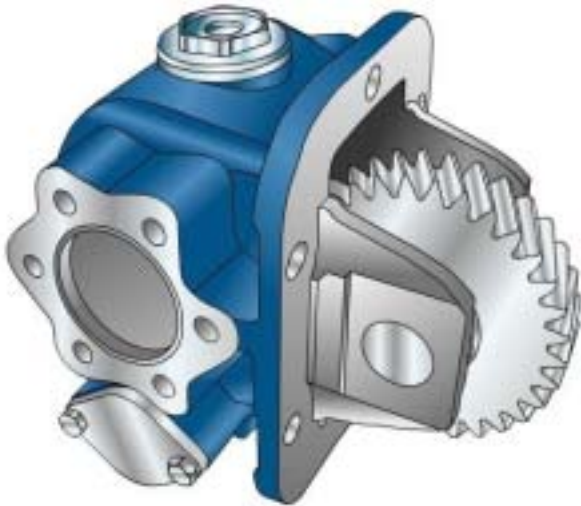


POWER TAKE-OFF

4.2.79.1.

FOR GEARBOX :

- ISUZU BD 5A, 5B, 5C
- MBD 5A, 5B, 5C
- MBF 5C
- MBG 5A, 5B, 5C, 5F, 5R, 6Q, 6P, 6R
- MBJ 5J, 6T
- MBP 6P, 6Q

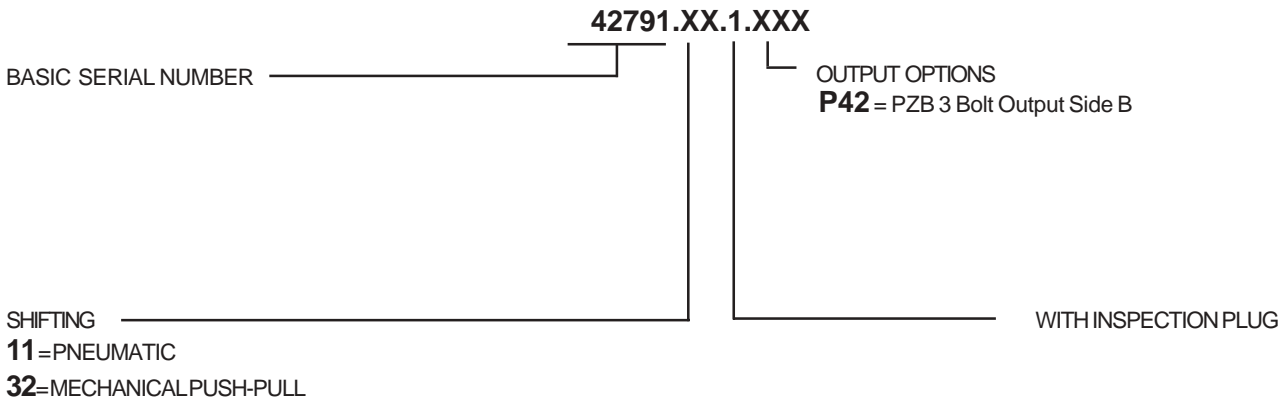


Technical data: refer to transmission application manual.

OUTPUT TORQUE:

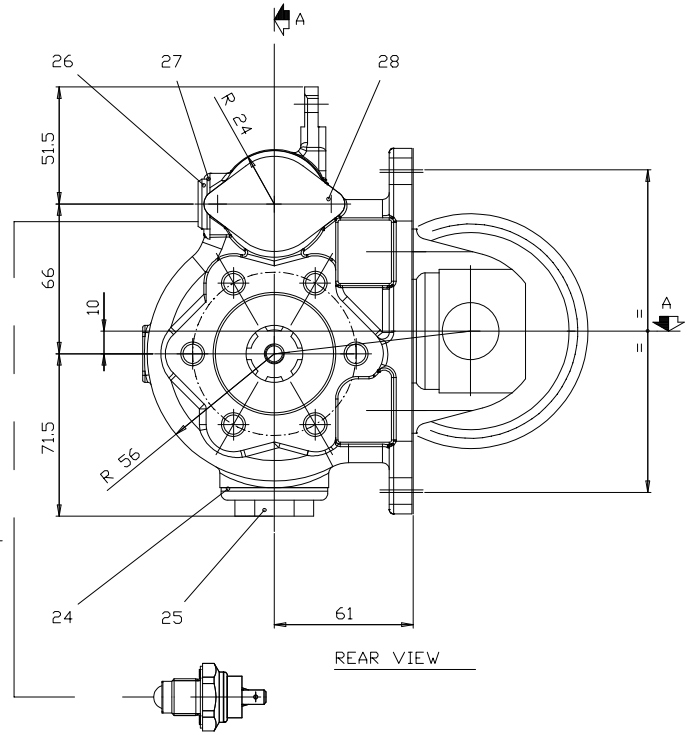
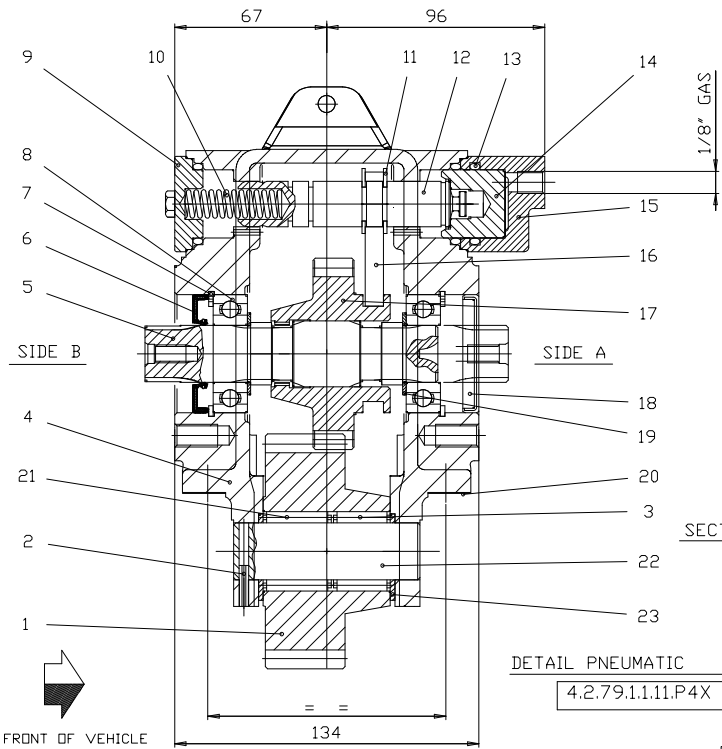
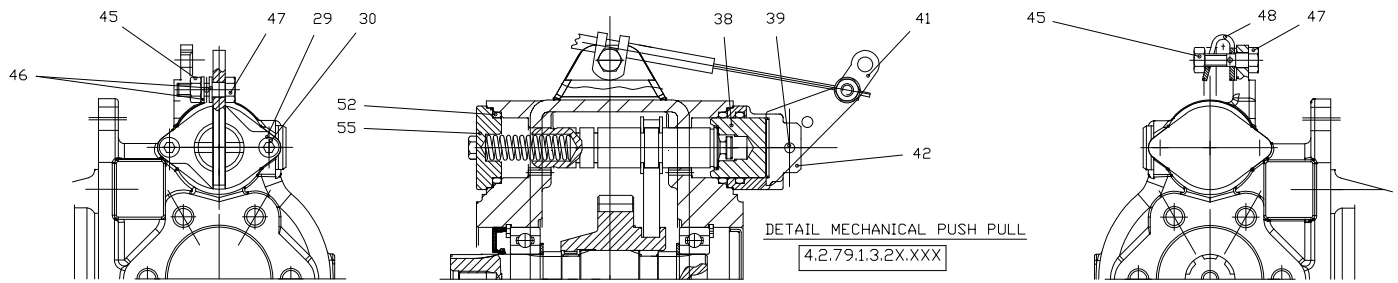
20 kgm. (increase of 50% for intermittent service).

WEIGHT: kg. 9,6



OUTPUT SHAFT OPTION

DESCRIPTION	CODE
Direct mounting PZB pumps-3 bolt mtg. flange (see chart Y type A)	205P0020000
Direct mounting PZB pumps-4 bolt ISO flange (see chart Y type C)	205X0450000
Flange K1300 Spicer for remote drive (see chart X group A)	205F5970000



OPTIONAL SWITCH KIT
 SENSOR SWITCH N.A. MERIT
 COD. 2.05.E.589.0000

SENSOR SWITCH N.A. TDS
 2.05.E.590.0000

REF	CODE	QTY	DESCRIPTION	NOTE
01	1.11.01.071.00	1	GEAR Z 25	
02	0.05.02.001.00	1	ROLL PIN 4x18 UNI 6873	
03	0.10.06.008.00	1	NEEDLE BEARING K25x35x25	☆
04	1.01.02.156.00	1	Scatola	
Ⓐ 05	1.13.01.604.00	1	SHAFT	
06	0.08.01.025.00	1	SEAL 25x52x7	☆
07	0.07.02.004.00	2	CIRCLIP 52I UNI 7437	
08	0.10.01.001.00	2	BEARING 6205	☆
09	1.24.01.902.00	1	CAP	
10	1.28.01.501.00	1	SPRING	
11	0.07.03.001.00	2	CIRCLIP RS15 UNI 7434	
12	1.14.03.100.00	1	SELECTOR SHAFT	
13	0.08.02.028.00	3	ORING OR 4118	☆
14	1.21.01.901.00	1	PISTON pneumatic	
15	1.08.01.501.00	1	CAP pneumatic	
16	1.22.01.050.00	1	FORK	
Ⓐ 17	1.11.07.603.00	1	GEAR Z 20	
18	0.12.01.044.00	1	WELSH PLUG 52x7	☆
19	1.26.01.107.00	2	SPACER	
20	1.29.01.501.00	1	GASKET 6F spessore 0.5	■
21	0.10.06.007.00	1	NEEDLE BEARING K25x35x30	☆
22	1.14.01.048.00	1	SHAFT	
23	1.27.01.033.00	2	WASHER	
24	0.08.99.005.00	1	GASKET 1" Gas	☆
25	0.12.01.074.00	1	PLUG 1" Gas	
26	0.12.01.062.00	2	PLUG M16x1.5	●
27	0.04.01.136.00	2	WASHER 16x22x1.5	
28	0.01.01.022.00	2	SCREW TE M6x12 UNI 5739	△
29	0.04.04.004.00	2	WASHER schnorr 6	
30	0.01.03.110.00	2	SCREW TCEI M6x35 UNI 5931	△

REF	CODE	QTY	DESCRIPTION	NOTE
31	0.01.01.022.00	4	SCREW TE M6x12 UNI 5739	※△
32	0.00.99.128.00	1	Attuatore 12 V	
	0.00.99.120.00	1	Attuatore 24 V	
33	0.04.01.136.00	1	Rondella 16x22x1.5	●
34	0.99.00.289.00	1	SWITCH Merit N.A.	
35	0.12.01.103.00	1	Tappo protezione	●
36	0.99.00.393.00	1	SWITCH TDS N.A.	
37	0.04.01.151.00	1	WASHER 16x24x0.5	
38	1.21.01.902.00	1	PISTON meccanico	
39	0.05.02.033.00	1	ROLL PIN 5x25 UNI 6873	
40	0.99.00.280.00	1	Forcella	
41	0.99.00.281.00	1	LEVER	
42	1.24.01.903.00	1	COVER meccanical	
43	0.07.03.009.00	1	CIRCLIP 6 DIN 6799	
44	0.99.00.284.00	1	Perno	
45	0.03.01.001.00	2	SCREW M6 UNI 5588	
46	0.04.01.040.00	2	WASHER 6 UNI 6592	
47	1.30.01.501.00	2	NUT	
48	1.99.00.181.00	1	Fascetta	
49	0.07.01.035.00	1	CIRCLIP 20E UNI 7436	●
50	0.12.01.062.00	1	PLUG M16x1.5	
51	0.04.01.136.00	1	WASHER 16x22x1.5	
52	0.08.02.028.00	1	ORING OR 4118	☆
53	0.11.01.001.00	1	BALL 5/16"	
54	1.28.01.514.00	1	SPRING	
Ⓑ 55	1.24.01.904.00	1	CAP	
	2.05.F.596.00.00	1	Kit flange Spicer 1120	
	2.05.F.597.00.00	1	Kit flange Spicer 1300	
56	2.05.F.598.00.00	1	Kit flange DIN 10	
	2.05.F.599.00.00	1	Kit flange DIN 00	

※ Set up with Loctite type 243 ● Tightening torque: 50±5 Nm △ Tightening torque: 7±1 Nm ■ Parts packaged in PTD kit ☆ ASSEMBLE WITH GREASE TYPE Polimer 400 (sigla "OCR")