



HYDRAULIC COMPONENTS & POWER TAKE OFFS

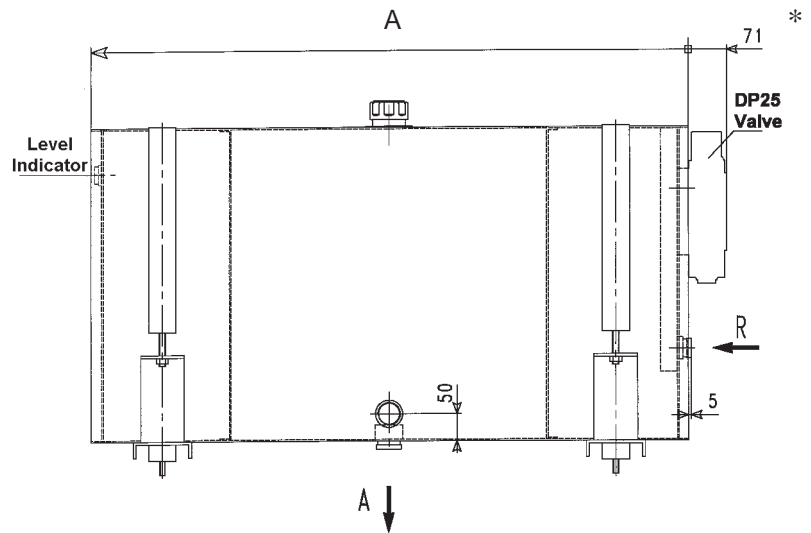
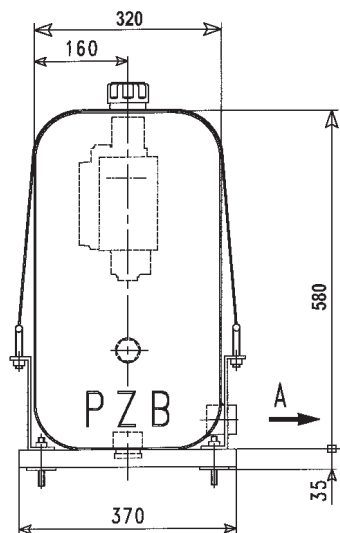
REAR OF CAB MOUNT
TANK WITH TIPPING VALVE SUBPLATE

TK016SP
TK020SP



Features:

- ✓ Complete with brackets & straps
- ✓ Filler breather
- ✓ Sight Gauge
- ✓ Vibration mounts



Code	Cap.	Displ Cap.	Suction Port	Return Port	Weight	Dimension A (mm)
TK016SP	195lt	184lt	1¼"	1"	46kg	1100
TK020SP	220lt	210lt	1¼"	1"	50kg	1250

* Stud Kit 2053650000 - For mounting of DP25 valve (not supplied)