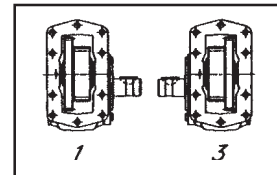
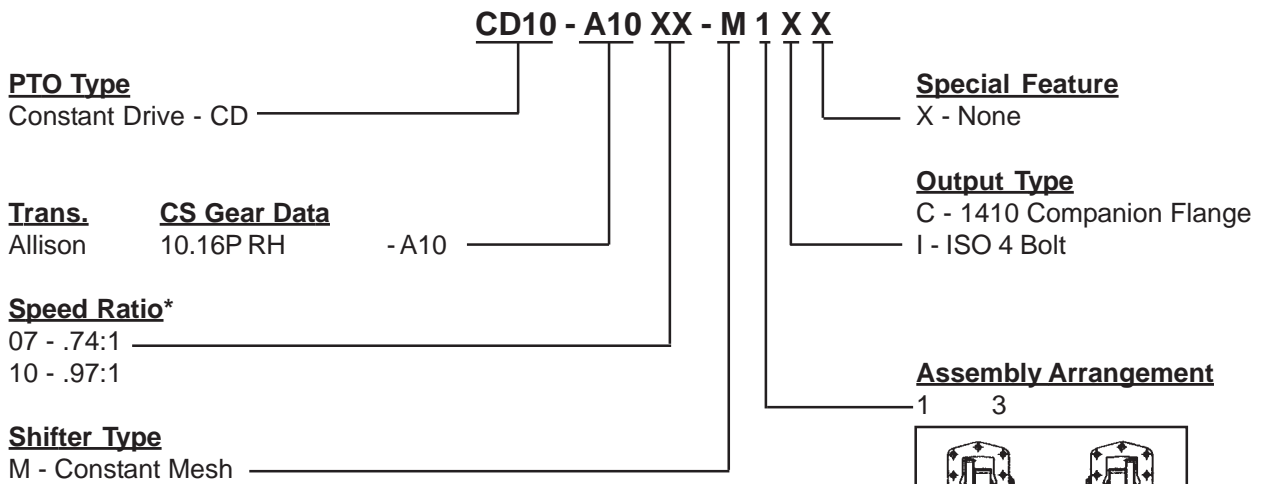




CONSTANT DRIVE POWER TAKE OFF **CD10**

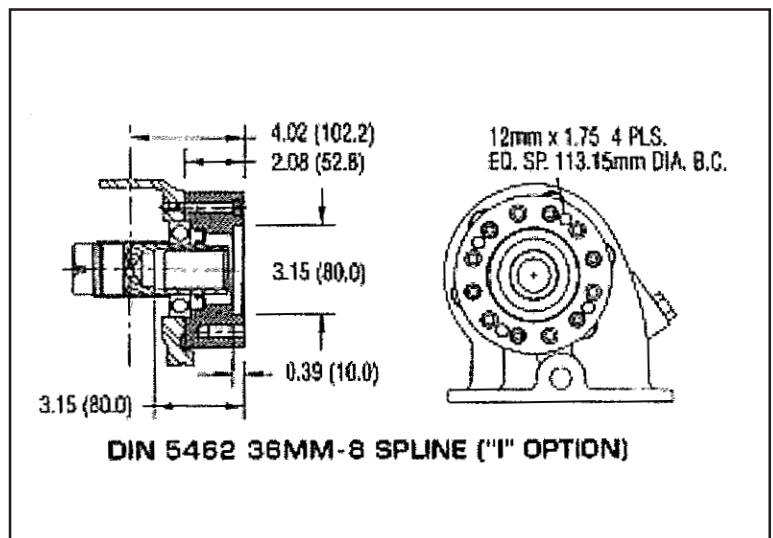
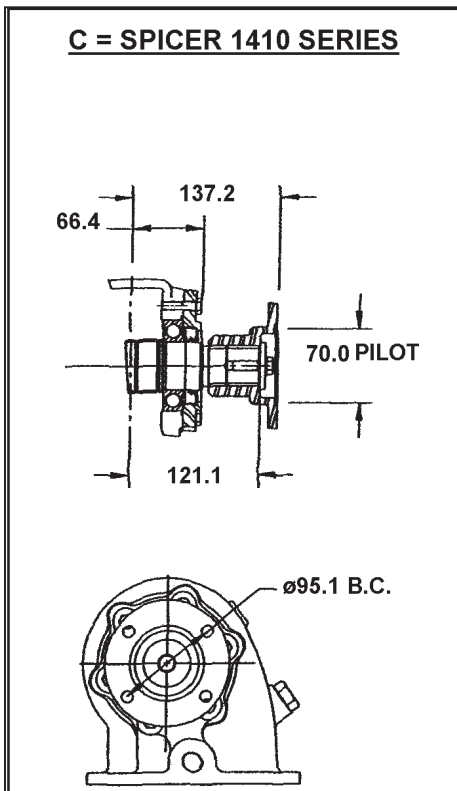
ALLISON WORLD

MODEL NUMBER CONSTRUCTION

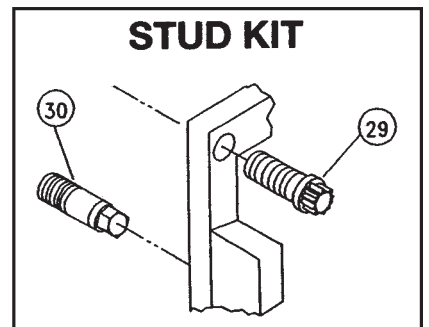
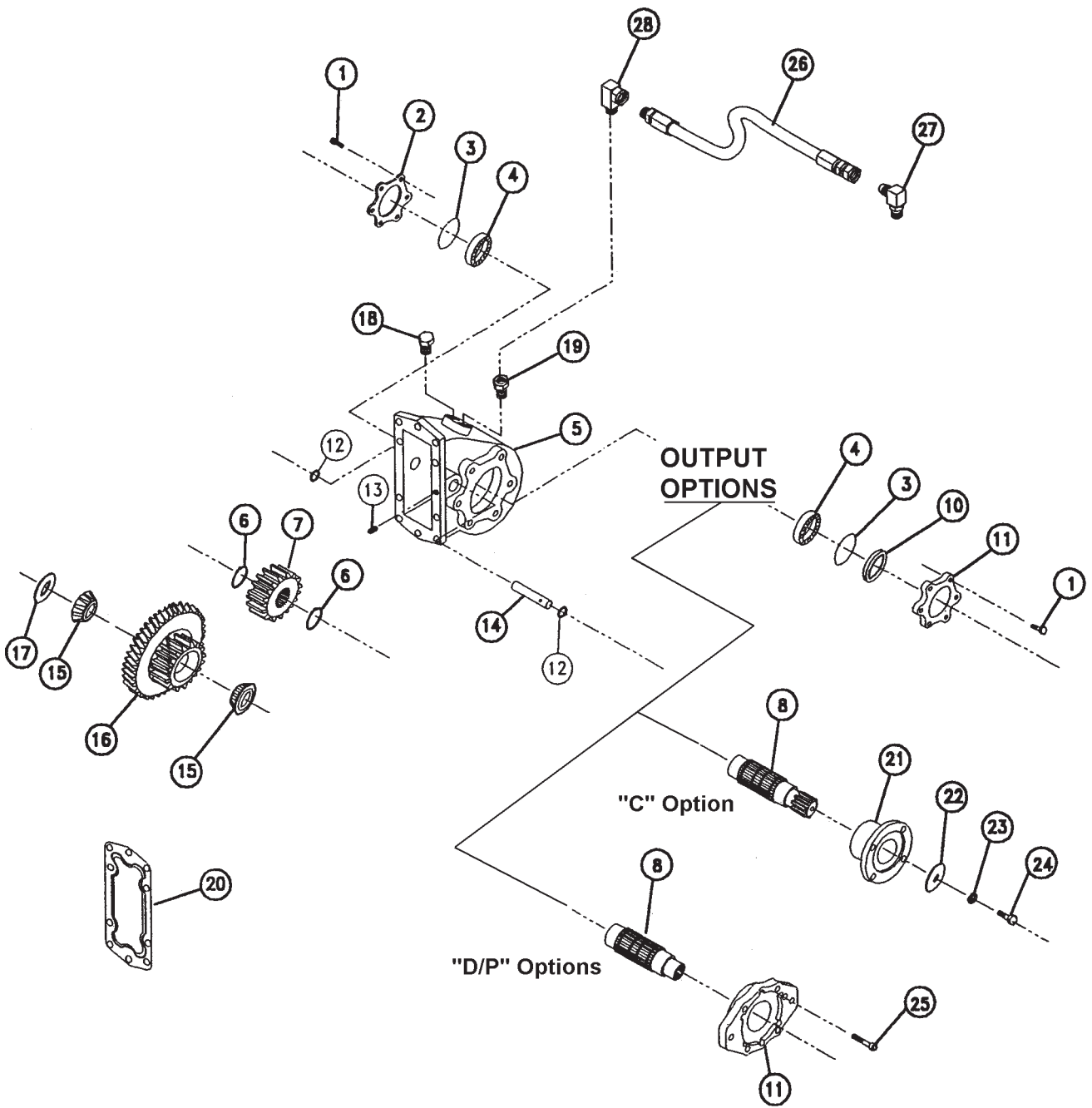


*** NOTE: Not all outputs listed are available with each speed ratio**

OUTPUT SHAFT OPTIONS AND DIMENSIONAL INFORMATION



EXPLODED VIEW



PARTS LIST AND DESCRIPTION

ITEM	QTY	PART NUMBER	DESCRIPTION	ITEM	QTY	PART NUMBER	DESCRIPTION
1	12	19T32740	Hex Capscrew	17	**	18T35781	Shim (.125/.122)
2	1	15T35772	Bearing Cover, Closed		**	18T35782	Shim (.120/.117)
3	2	12T36863	O-Ring		**	18T35783	Shim (.115/.112)
4	2	10T35775	Bearing	18	1	25T35999	Plug
5	1	01T35750	Housing	19	1	25T25784	Lubrication Port
6	2	24T26980	Snap Ring	20	1	13T35777	Gasket/Shim
7			Output Gear	21	1	14T31499	Companion Flange
1		02T35756	07 Ratio (34T)	22	1	21T20092	Flat Washer
	1	02T35762	10 Ratio (30T)	23	1	21T20526	Lock Washer
8			Output Shaft	24	1	19T20522	Capscrew
	1	06T35763	"C" 1410 Flange	25	6	19T31577	Capscrew "D" & "P" Hyd. Ass'y
	1	06T36831	"I" DIN 546236X8SPL.			43MK2810	Pressure Lube Kit Includes:
10	1	11T34716	Output Shaft Seal	26	1	45M4R528	Hose Assembly
11			Bearing Cover	27	1	43M68014	Hydraulic Adapter
	1	15T35770	Bearing Cover "C"	28	1	43M05522	Hydraulic Adapter
	1	14T36834	"I" Hydraulic Flange			20MK1001	Mounting Bolt Kit Includes:
12	2	12T35774	O-Ring	29	8	19T35778	12Pt. Metric Screw
13	1	19T35785	Set Screw	30	2	20T35779	Alignment Stud - Metric
14	1	07T35780	Idler Shaft	NS	1	25T35724	Cap Plug "D" Hyd. Only
15	2	10T35776	Bearing	NS	1	36MK3841	Label Packet
16			Input/Ratio Gear	NS	1	52MK1010	Gasket Kit & Instructions
	1	03T35755	A1007 Input Gear (50/25)				Includes (1) Item 20
	1	03T35761	A1010 Input Gear (50/29)	NS	1	31TK3873	Pulse Gen. Kit ("U" Option)
				NS	1	CD-GSK	Gasket Kit - Includes:
							2(3), 1(10), 2(12), 1(20),
				NS	1	CD-RBK	Rebuild Kit - Includes:
							2(3), 2(4), 2(6), 1(10)
							2(12), 2(15), 3(17), 1(20)

** Shims used as required

PLEASE NOTE: Some items listed are "SPECIAL ORDER ONLY".

Some components available in kit form only.

For more information please contact the
Technical Department at MEGA Pacific