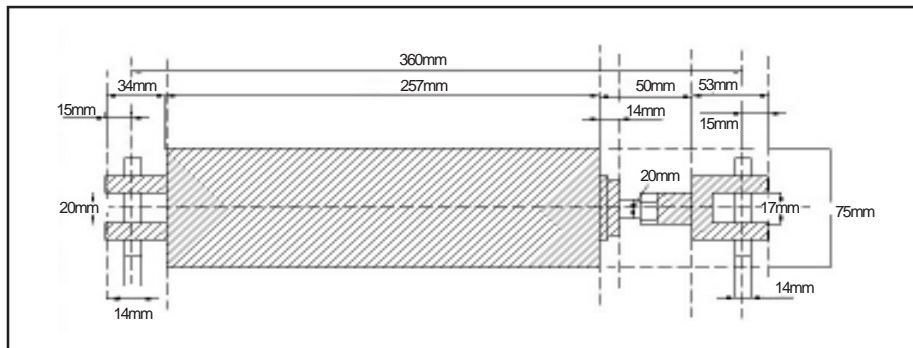


AIR TAILGATE RAM AIRRAM150X63

Features:



- Interchange design
- 3 piece piston seal
- Brass bush



AIR TAILGATE RAM 'NO LEAK' ASSEMBLY NLTG002/A

Features:



- Complete with 5/2 pilot valve
- Complete with fittings
- Fitted with Mega's NO LEAK valve system.

***KIT IS FOR AIR RAM ASSEMBLY ONLY - IN CABIN SWITCHING SOLD SEPERATELY**

In Cabin Switch Kit Options

CODE	TYPE	
AIR001	Air	Single Switch (Air)
EAC001-12V	Electric 12V/Air	Single Switch (Electric) 12V
EAC001-24V	Electric 24V/Air	Single Switch (Electric) 24V