



## BODY CLAMP BOD026

### A NEW SOLUTION

The BOD026 Body Clamp is the revolutionary solution for a consistent tipper problem. A tipper chassis receives enormous hammering from the tipper body caused by potholes and bumps in the road surface.

The Body Clamp resists the forces which occur both in light and heavy load situations. It creates a 'fixed' connection between the tipper body and the chassis.

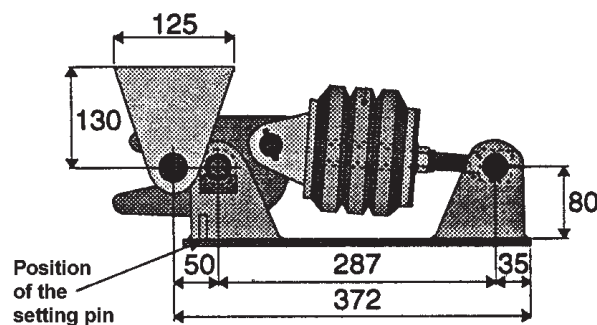
### Features:

- ◆ Stops body rattle
- ◆ Prevents damage to the chassis
- ◆ Eliminates unnecessary wear and tear on the tipper while travelling unloaded
- ◆ Reduces noise nuisance

### Technical Reference:

- ◆ INS110 - Mounting & Adjustment Instructions

### DIMENSIONS



### STANDARD MOUNTING

