

POWER TAKE-OFF

3.2.83.5.

FOR GEARBOX :

NISSAN MPS 62T



Technical data: refer to transmission application manual.

OUTPUT TORQUE:

25 kgm. (increase of 50% for intermittent service).

WEIGHT: kg. 11

3.2.83.5.X.XX.0.X

BASIC SERIAL NUMBER

COMPANION FLANGE FOR REMOTE TRANSMISSION

0 = NO OPTION

1 = SPICER 1120 CODE 2.05.054.0000

2 = SPICER 1300 CODE 2.05.055.0000

3 = DIN 00 CODE 2.05.056.0000

6 = DIN 10 CODE 2.05.077.0000

SHIFTING

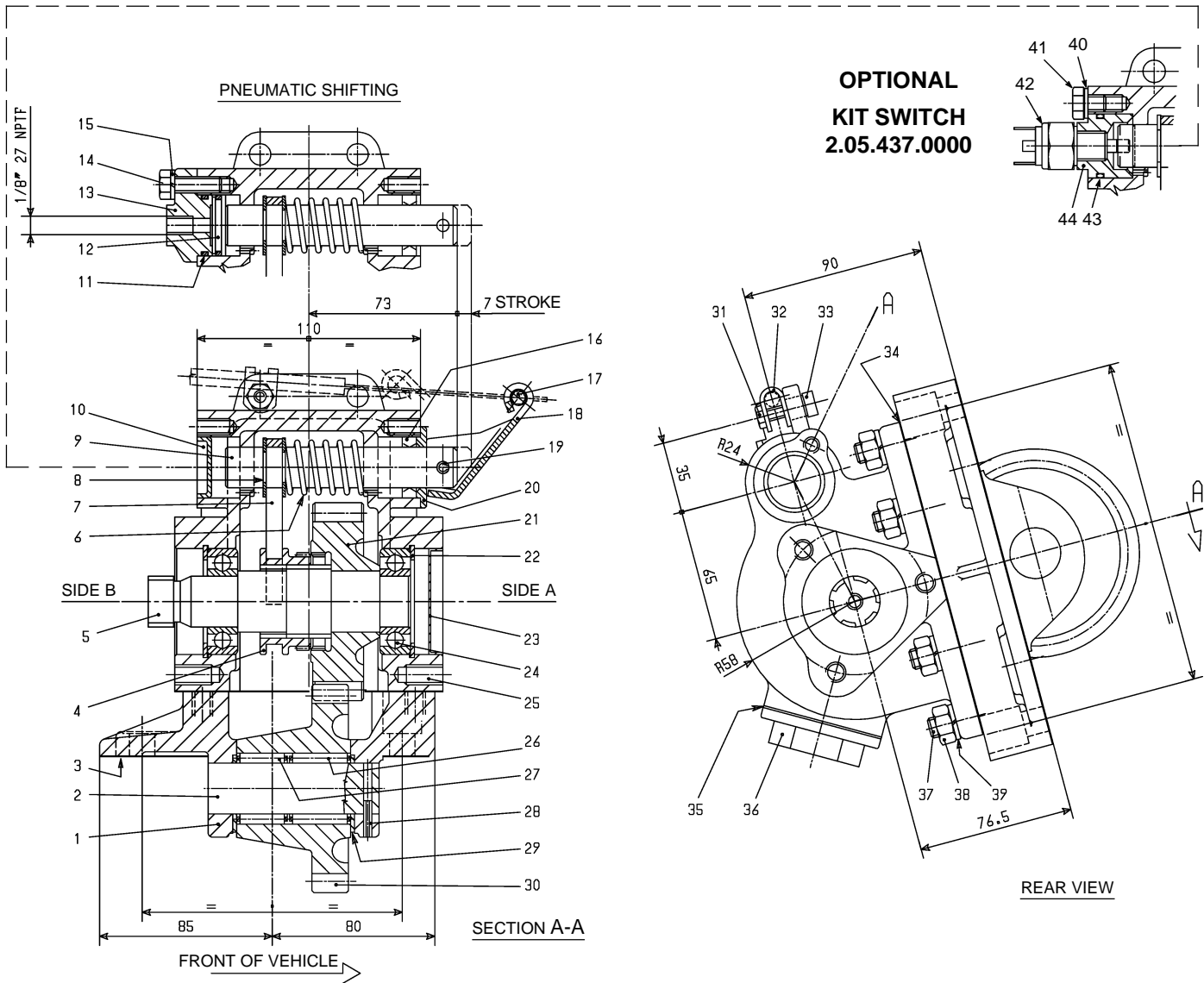
1 = PNEUMATIC

3 = MECHANICAL PUSH-PULL

OUTPUT SHAFT OPTION

OUTPUT SHAFT OPTION

DESCRIPTION	CODE	
	SIDE A	SIDE B
For remote transmission (see chart X group A)	01	02
Direct mounting PZB pumps-3 bolt mtg. flange (see chart Y type A)	03	04



REF.	CODE	DESCRIPTION	QT.
1	1.07.01.145.00	Adap. 4-bolt Nissan MPS 62T g.box/6-bolt SAE	1
2	1.14.01.048.00	Shaft	1
3	1.29.01.128.00	Gasket PTO/gearbox	1
4	1.17.02.069.00	Splined sleeve	1
5	1.13.01.129.00	Shaft	1
6	1.28.01.084.00	Coil spring	1
7	1.22.01.050.00	Fork	1
8	0.07.03.001.00	Circlip RS15 UNI 7434	2
9	1.14.03.073.00	Shaft	1
10	0.12.01.055.00	Screw plug 30x7	1
11	0.08.02.013.00	O-Ring OR 3100	2
12	1.21.02.033.00	Piston	1
13	1.24.01.089.00	Cover	1
14	0.01.01.002.00	Capscrew TE M8x25 UNI 5739 CL RES 8.8	1
15	0.04.02.002.00	Lockwasher 8,4 UNI 1751	1
16	0.08.01.005.00	Seal 20x30x7	1
17	0.99.00.132.00	Clamp with head screw art.1713	1
18	1.23.00.041.00	Lever	1
19	0.05.02.019.00	Roll pin 6x28 UNI 6873	1
20	1.27.02.090.00	Washer	1
21	1.11.10.088.00	Gear 20 T	1
22	0.07.02.004.00	Circlip 52i UNI 7437	2
23	0.12.01.044.00	Plug 52x7	1
24	0.10.01.001.00	Bearing 6205	2

REF.	CODE	DESCRIPTION	QT.
25	1.01.01.024.00	Housing	1
26	0.10.06.007.00	Needle cage K25x35x30	1
27	0.10.06.008.00	Needle cage K25x35x25	1
28	0.05.02.001.00	Roll pin 4x18 UNI 6873	1
29	1.27.01.033.00	Washer 43x25,2x2	2
30	1.11.01.076.00	Gear 21 T	1
31	0.01.01.027.00	Capscrew TE M6x20 UNI 5739 CL RES 8.8	1
32	1.99.00.181.00	Hose clamp	1
33	1.30.02.020.00	Hex nut	1
34	1.29.01.001.00	Gasket PTO/gearbox SAE 6-bolt/metr.0,5	1
35	0.08.99.003.00	Gasket 1"1/4	1
36	0.12.01.032.00	Retainer G 1"1/4	1
KIT 2.05.120.0000			
37	0.02.02.004.00	Stud M10x25 UNI 5911	6
38	1.30.02.001.00	M10 Hex nut 14 CL RES 6S	6
39	0.04.04.001.00	Washer Schnorr 10	6
OPTIONAL: KIT SWITCH 2.05.437.0000			
40	0.04.01.065.00	Washer 8,4 DIN 433	1
41	0.01.01.029.00	Capscrew TE M8x10 UNI 5739 CL RES 8.8	1
42	0.99.00.226.00	Indicator switch	1
43	0.08.02.013.00	O-Ring OR 3100	1
44	1.99.00.290.00	Bracket for switch	1