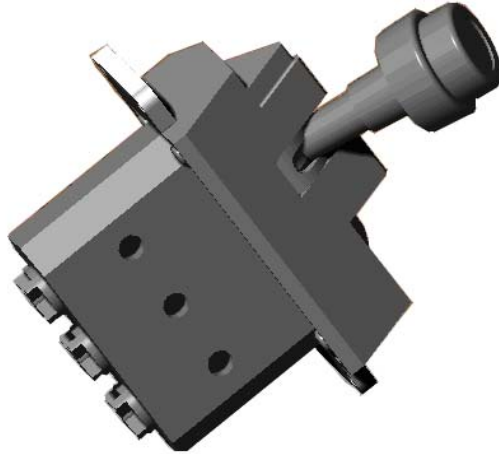


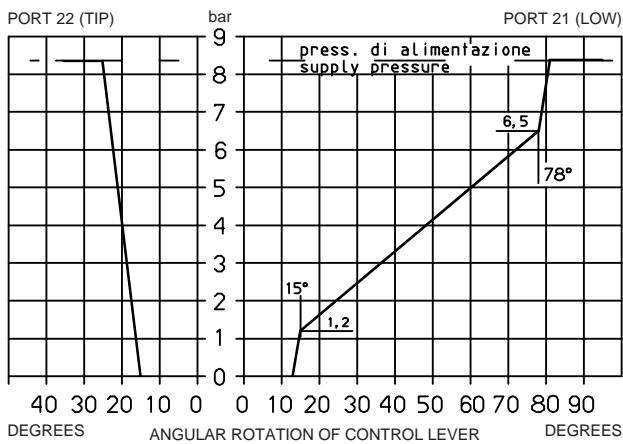
AIR CONTROL VALVE WITH VARIABLE DESCENT SPEED

THREE-WAY

4.3.2.022.XX.09



OUTLET PRESSURE



TECHNICAL SPECIFICATION

- Operating pressure = max. 12 bar
- Operative temperature = -30° / +90° C
- Nominal diameter = ø 4 mm
- Operating voltage = 12/24 V cc
- Contacts = normally open
- Contacts make pressure = 3 - 4 bar

4.3.2.022.A.XX.09

BASIC SERIAL NUMBER _____

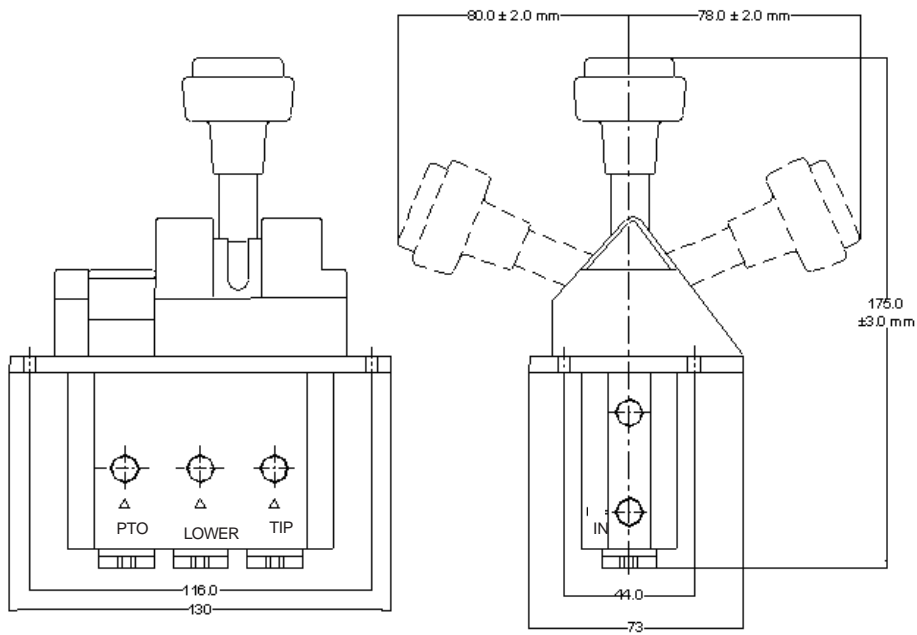
TYPE _____

- 16** = THREE-WAY RAISING, LOWERING AND PTO CONTROL
- 18** = THREE-WAY RAISING, LOWERING AND PTO CONTROL, WITH AUTOMATIC PTO DISENGAGEMENT

Disclaimer: Deadman controls are required for use in some workplaces. It is the responsibility of the customer to select the correct style of controller, Deadman or Detented, in accordance with the requirements of the intended worksite.

CODE 4.3.2.022.A.XX.09 - 3-WAY

PULL THE LEVER TO OPERATE



PORT SIZE
1/8" GAS
1/8" CONNECTORSTIGHTENING
TORQUE 14 - 16 Nm

PRESSURE SWITCH
CONNECTION AND
WARNING LIGHT,
MALE TERMINALS
6.3x0.8

SPARE PARTS

CODE	DESCRIPTION
09900084A00	Light 24V
299010BR18	Brass Pressure Switch 1/8"G
SKAC004	Complete Seal Kit