

**CLUTCH DRIVE, AIR OPERATED  
POWER TAKE-OFF**

**3.2.91.4.**

**FOR GEARBOX:**  
FULLER ratio 1:1

**CLUTCH DRIVE, AIR OPERATED  
POWER TAKE-OFF**

**3.2.91.5.**

**FOR GEARBOX:**  
FULLER ratio 1,5:1

**CLUTCH DRIVE, AIR OPERATED  
POWER TAKE-OFF**

**3.2.91.8.**

**FOR GEARBOX:**  
MACK SERIE T - TX



Technical data: refer to transmission application manual.  
OUTPUT TORQUE:  
40 kgm.

WEIGHT 3.2.94.1: kg. 19,950  
3.2.94.2: kg. 19,150  
3.2.91.8: kg. 19,950

**3.2.91.X.1.0000**

BASIC SERIAL NUMBER

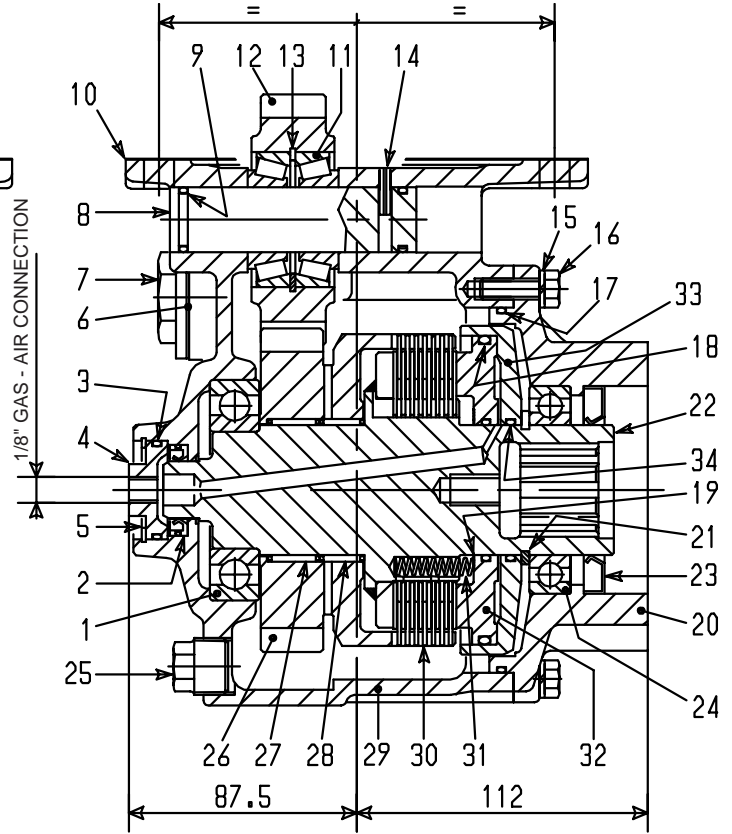
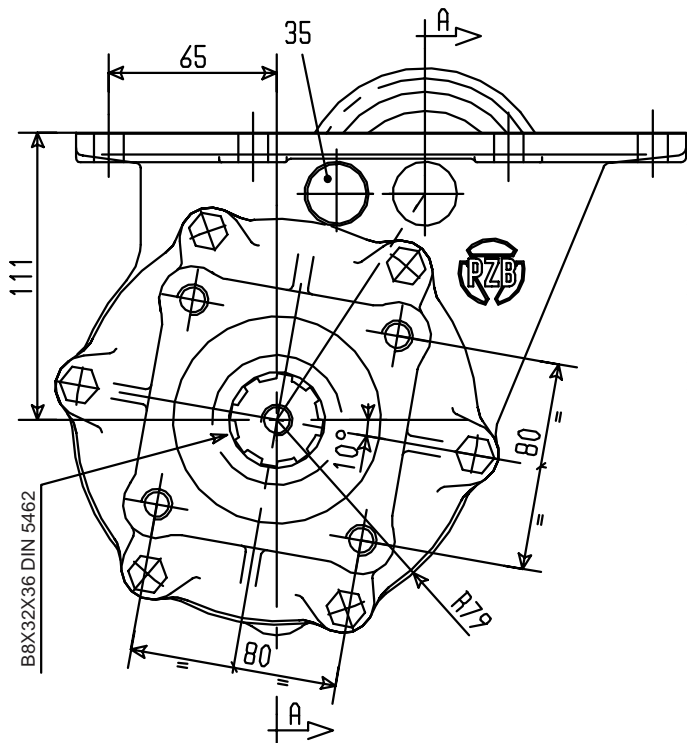
VERSION

**4** = FULLER ratio 1:1  
**5** = FULLER ratio 1,5:1  
**8** = MACK serie T - TX

**OUTPUT SHAFT OPTION**

**DESCRIPTION**

For remote transmission DIN 00/SPICER 1120 (see chart X group E)	<b>KIT 2.05.330.0000</b>
For remote transmission DIN 10/SPICER 1300 (see chart X group E)	<b>KIT 2.05.323.0000</b>
Direct mounting PZB pumps-3 bolt mtg. flange (see chart Y type M)	<b>KIT 2.05.324.0000</b>
Direct mounting ISO 4 bolt mtg. flange pumps (see chart Y type H)	<b>KIT 2.05.087.0000</b>



SECTION A-A

REF.	CODE	DESCRIPTION	QT.
1	0.10.01.003.00	Bearing 6209	1
2	1.29.02.025.00	Seal	1
3	0.08.02.146.00	O-Ring OR 3131 Viton	1
4	1.24.01.097.00	Cover	1
5	0.07.02.023.00	Circlip 38i UNI 7437	1
6	0.08.99.005.00	Gasket 1"	1
7	0.12.01.074.00	Plug 1" Gas	1
8	1.14.01.023.00	Shaft 304PU/5	1
9	0.08.02.134.00	O-Ring OR 3081 Viton	2
10	1.29.01.021.00	Gasket PTO/gearbox SAE 8-bolt 0,5	1
11	0.10.05.007.00	Bearing 30205	2
12	1.11.01.131.00	Gear 21 T (P.T.O. 3.2.91.4 - 3.2.91.5)	1
	1.11.01.140.00	Gear 23 T (P.T.O. 3.2.91.8)	
13	0.07.02.004.00	Circlip 52i UNI 7437	1
14	0.05.02.001.00	Roll pin 4x18 UNI 6873	1
15	0.04.02.002.00	Lockwasher 8,4 UNI 1751	6
16	0.01.01.002.00	Capscrew TE M8x25 UNI 5739 CL RES 8.8	6
17	0.08.02.147.00	O-Ring OR 3525 Viton	1
18	0.08.02.132.00	O-Ring OR 4437 Viton	1

REF.	CODE	DESCRIPTION	QT.
19	0.04.01.028.00	Spacer 62x54x0,3	1
20	1.09.01.040.00	Support	1
21	0.07.01.028.00	Circlip AS50x3 DIN 471	1
22	1.13.01.156.00	Shaft	1
23	0.08.01.095.00	Seal 50x80x8 Viton	1
24	0.10.01.004.00	Bearing 6010	1
25	0.12.01.002.00	Plug FIAT 1/43262/11	1
	1.11.01.143.00	Gear 28 T (P.T.O. 3.2.91.4)	
26	1.11.01.130.00	Gear 21 T (P.T.O. 3.2.91.5)	1
	1.11.01.147.00	Gear 29 T (P.T.O. 3.2.91.8)	
27	0.10.06.017.00	Needle cage K50x55x20H	1
28	0.10.06.019.00	Needle cage K50x55x17H	1
29	1.01.02.136.00	Housing	1
30	0.00.10.001.00	Clutch discs	1
31	1.28.01.114.00	Coil spring	3
32	1.21.02.042.00	Piston	1
33	1.08.01.018.00	Cylinder	1
34	0.08.02.131.00	O-Ring OR 3200 Viton	2
35	0.12.01.058.00	Plug 25x5	2