



POWER TAKE-OFF 3.2.65.5.

FOR GEARBOX :
SCANIA GRS 900 ratio 1:1

POWER TAKE-OFF 3.2.65.6.

FOR GEARBOX :
SCANIA GRS 900 ratio 1:1

POWER TAKE-OFF 3.2.65.7.

FOR GEARBOX :
SCANIA GRS 900 ratio 1,5:1

POWER TAKE-OFF 3.2.65.8.

FOR GEARBOX :
SCANIA GR 900, GRH 900 ratio 1:1

POWER TAKE-OFF 3.2.65.9.

FOR GEARBOX :
SCANIA GR 900, GRH 900 ratio 1:1

POWER TAKE-OFF 3.2.65.0.

FOR GEARBOX :
SCANIA GR 900, GRH 900 ratio 1,5:1

Technical data: refer to transmission application manual.

POWER TAKE-OFF OUTPUT TORQUE

3.2.65.5.1	Kgm 30
3.2.65.6.1	Kgm 40
3.2.65.7.1	Kgm 40
3.2.65.8.1	Kgm 30
3.2.65.9.1	Kgm 40
3.2.65.0.1	Kgm 40

WEIGHT:

kg. 16
kg. 15,8
kg. 15
kg. 16,3
kg. 16,1
kg. 15,6

3.2.65.X.1.0000

BASIC SERIAL NUMBER

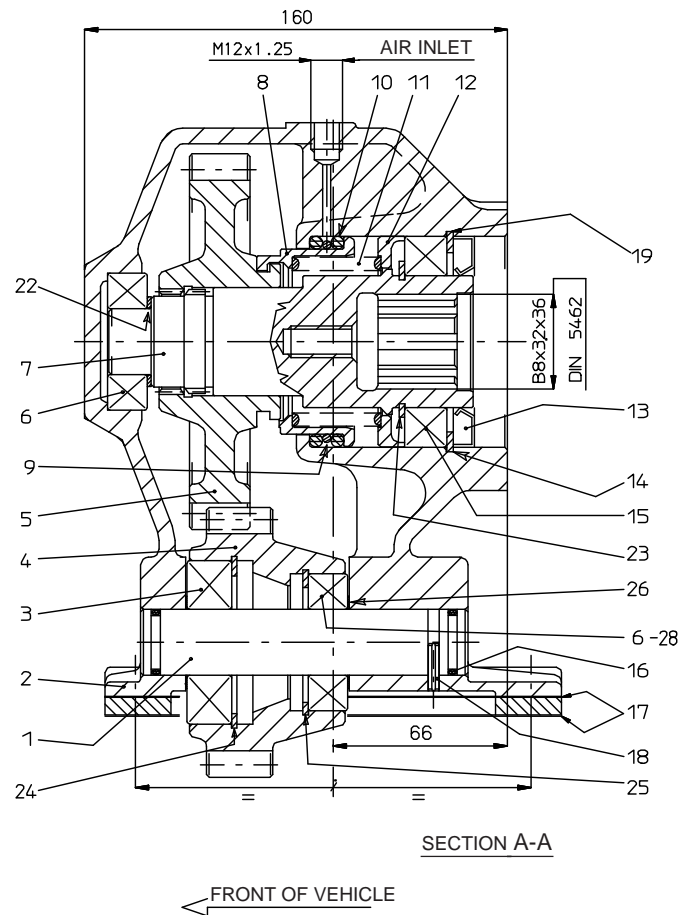
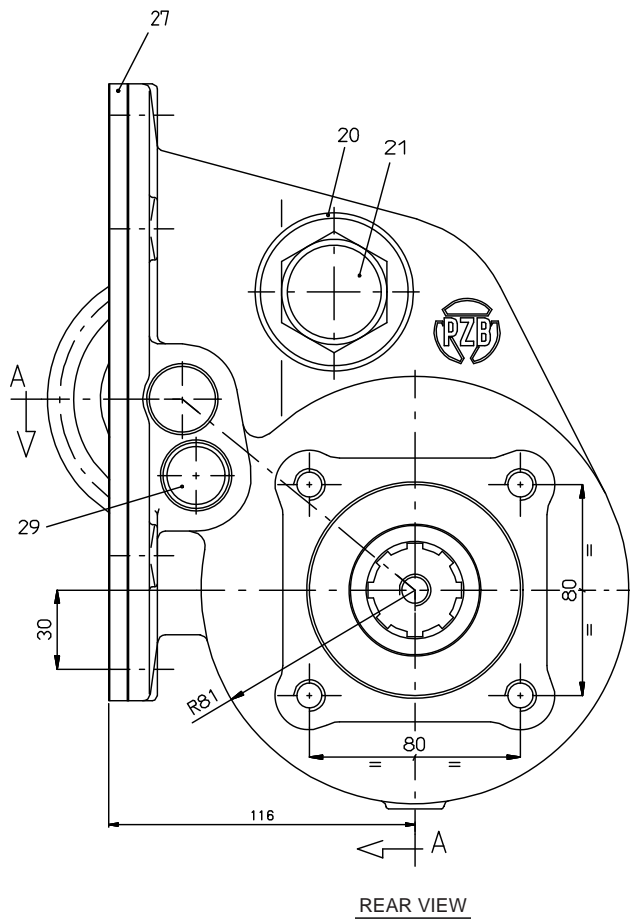
GEARBOX TYPE

- 5** = SCANIA GRS 900 ratio 1:1
- 6** = SCANIA GRS 900 ratio 1:1
- 7** = SCANIA GRS 900 ratio 1,5:1
- 5** = SCANIA GR 900, GRH 900 ratio 1:1
- 6** = SCANIA GR 900, GRH 900 ratio 1:1
- 7** = SCANIA GR 900, GRH 900 ratio 1,5:1

OUTPUT SHAFT OPTION

DESCRIPTION

For remote transmission DIN 00/SPICER 1120 (see chart X group E)	KIT 2.05.330.0000
For remote transmission DIN 10/SPICER 1300 (see chart X group E)	KIT 2.05.323.0000
Direct mounting PZB pumps-3 bolt mtg. flange (see chart Y type M)	KIT 2.05.324.0000
Direct mounting ISO 4 bolt mtg. flange pumps (see chart Y type H)	KIT 2.05.087.0000



REF.	CODE	DESCRIPTION	QT.
1	1.14.01.010.00	Shaft 217F/5	1
2	1.01.02.119.00	Housing	1
3	0.10.01.007.00 0.10.05.005.00	Bearing 6305 (PTO 3.2.65.5/8) Bearing 32305 (PTO 3.2.65.6/7/9/0)	1
4	1.11.01.114.00 1.11.01.119.00	Gear 20 T (PTO 3.2.65.5/6/7) Gear 19 T (PTO 3.2.65.8/9/0)	1
5	1.11.07.124.00 1.11.07.123.00 1.11.07.130.00 1.11.07.129.00	Gear 28 T (PTO 3.2.65.5/6) Gear 20 T (PTO 3.2.65.7) Gear 27 T (PTO 3.2.65.8/9) Gear 18 T (PTO 3.2.65.0)	1
6	0.10.01.001.00 0.10.01.001.00 0.10.05.007.00	Bearing 6205 (PTO 3.2.65.5/8) Bearing 6205 (PTO 3.2.65.6/9) Bearing 30205 (PTO 3.2.65.7/0)	2 1 1
7	1.13.01.149.00	Shaft	1
8	1.21.02.036.00	Piston	1
9	0.08.02.109.00	O-Ring OR 4250	1
10	0.08.02.119.00	O-Ring OR 6275 Viton	2
11	1.28.01.075.00	Coil spring	1
12	1.26.01.113.00	Ring	1

REF.	CODE	DESCRIPTION	QT.
13	0.08.01.023.00	Seal 50x80x8	1
14	0.07.02.012.00	Circlip 80i UNI 7437	1
15	0.10.01.004.00 0.10.05.027.00	Bearing 6010 (PTO 3.2.65.5/6/8/9) Bearing 32010X (PTO 3.2.65.7/0)	1
16	0.08.02.014.00	O-Ring OR 3081	2
17	1.29.01.124.00 1.29.01.124.00	Gasket PTO/gearbox (PTO 3.2.65.5/6/7) Gasket PTO/gearbox (PTO 3.2.65.8/9/0)	1 2
18	0.05.02.001.00	Roll pin 4x18 UNI 6873	1
19	0.04.01.100.00	Thickness 79,5x70x0,5 (PTO 3.2.65.7/0)	1
20	0.08.99.003.00	Gasket 1"1/4	1
21	0.12.01.032.00	Plug G1"1/4	1
22	1.26.01.107.00	Spacer (PTO 3.2.65.5/6/8/9)	1
23	0.07.01.013.00	Circlip 50e UNI 7435 (PTO 3.2.65.5/6/8/9)	1
24	0.07.02.009.00	Circlip 62i UNI 7437 (PTO 3.2.65.5/8)	1
25	0.07.02.004.00	Circlip 52i UNI 7437 (PTO 3.2.65.5/8)	1
26	0.04.01.072.00	Thickness C72 Ø 35x25x0,5 (PTO 3.2.65.5/8)	2
27	1.07.01.142.00	Plate 8 bolt thickness 6,7 (PTO 3.2.65.8/9/0)	1
28	0.10.05.025.00	Bearing 33205 (PTO 3.2.65.6/7/9/0)	1
29	0.12.01.058.00	Plug 25x5	2