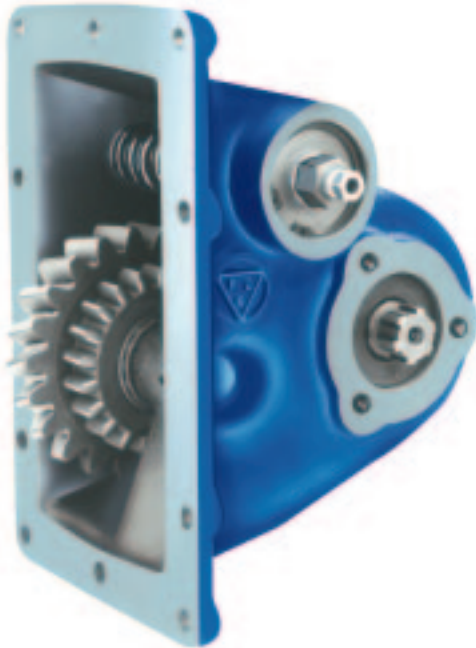


POWER TAKE-OFF

3.2.63.1.



FOR GEARBOX :

SCANIA GR 870
GR 871

Technical data: refer to transmission application manual.

OUTPUT TORQUE:

25 kgm. (increase of 50% for intermittent service).

WEIGHT: kg. 12

3.2.63.1.X.XX.0.X

BASIC SERIAL NUMBER

COMPANION FLANGE FOR REMOTE TRANSMISSION

0 = NO OPTION

1 = SPICER 1120 CODE 2.05.054.0000

2 = SPICER 1300 CODE 2.05.055.0000

3 = DIN 00 CODE 2.05.056.0000

6 = DIN 10 CODE 2.05.077.0000

SHIFTING

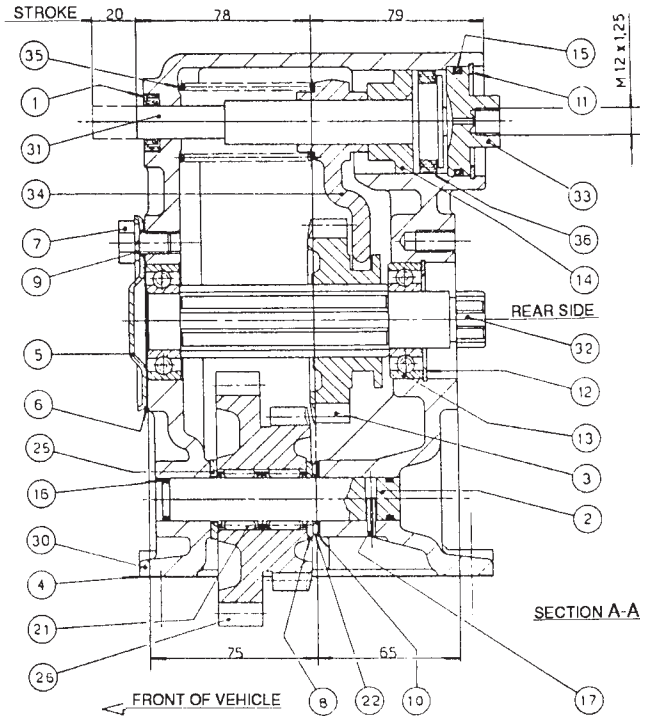
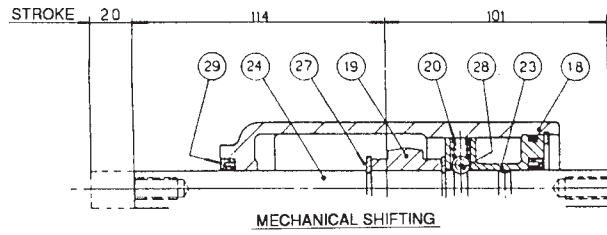
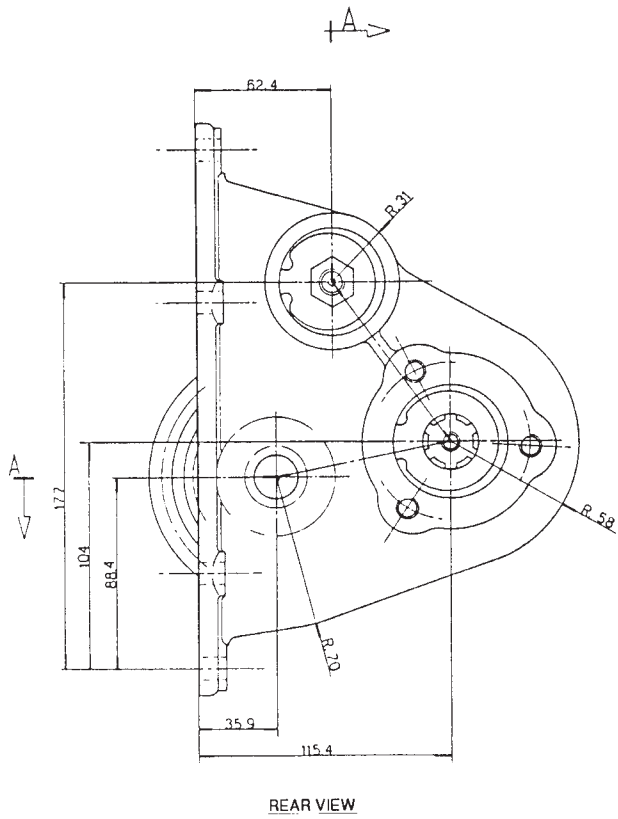
1 = PNEUMATIC

2 = MECHANICAL

OUTPUT SHAFT OPTION

OUTPUT SHAFT OPTION

DESCRIPTION	CODE
For remote transmission (see chart X group A)	02
Direct mounting PZB pumps-3 bolt mtg. flange (see chart Y type A)	04



REF.	CODE	DESCRIPTION	QT.
1	1.11.02.037.00	Gear 21/21 T	1
2	1.14.01.008.00	Shaft 219B/9	1
3	1.11.07.007.00	Gear 24 T 731A/3	1
4	1.29.01.015.00	Gasket PTO/gearbox	1
5	1.24.02.001.00	Cover mod20/3	1
6	1.29.01.004.00	Gasket mod.39/3	1
7	0.01.01.003.00	Capscrew TE M10x16 UNI 5739 CL RES 8.8	3
8	0.04.01.034.00	Washer 20 UNI 6592	1
9	0.04.02.003.00	Lockwasher 10,5 UNI 1751	3
10	0.10.06.003.00	Needle cage K20x28x20	2
11	0.07.02.003.00	Circlip 49i UNI 7437	1
12	0.07.02.004.00	Circlip 52i UNI 7437	1
13	0.10.01.001.00	Bearing 6205	2
14	0.10.10.002.00	Axial roller bearing ANK 2035	1
15	0.08.02.004.00	O-Ring OR 147	1
16	0.08.02.003.00	O-Ring OR 119	2
17	0.05.02.001.00	Roll pin 4x18 UNI 6873	1
18	1.01.02.016.00	741/3 Housing for mechanical shifting	1

REF.	CODE	DESCRIPTION	QT.
19	1.22.01.006.00	Fork mod5/7/1	1
20	1.28.01.004.00	Coil spring mod.15/1	1
21	0.10.11.002.00	Bearing disc LS 2035	1
22	1.13.01.006.00	Shaft 306/7	1
23	1.25.03.004.00	Bushing mod 47	1
24	1.14.03.006.00	Shaft mod 32/7	1
25	1.25.03.002.00	Bushing mod 33/1	1
26	0.08.01.004.00	Seal 15x26x7	1
27	0.07.03.001.00	Circlip RS15 UNI 7434	2
28	0.11.01.001.00	Ball 5/16"	1
29	0.08.01.003.00	Seal 17x28x7	2
30	1.01.02.017.00	Housing 741/1	1
31	1.21.01.005.00	Piston 209L/5	1
32	0.10.11.001.00	Bearing disc AS 2035	1
33	1.24.01.004.00	Cover mod4/2 G1/8	1
34	1.22.01.005.00	Fork mod5/7	1
35	1.28.01.001.00	Coil spring mod.7/1	1
36	1.29.02.002.00	Gasket mod.13/1	1