

CLUTCH POWER TAKE OFF **CS20**

ALLISON WORLD
HEAVY DUTY ISO

MODEL NUMBER CONSTRUCTION

CS20 - A10 XX - H 3 D X

PTO Type

Clutch Shift - CS

Trans. CS Gear Data

Allison 10.16P RH - A10

Speed Ratio

05 - .55:1

07 - .74:1

Special Feature

X - None

Output Type

D - ISO 4 Bolt (DIN5462)

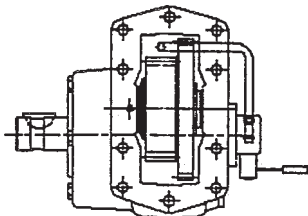
Assembly Arrangement

3

Shifter Type

H - Electric/Hydraulic (12Volt)
J - Electric/Hydraulic (24 Volt)

PTO ASSEMBLY ARRANGEMENT



NO. 3 ASSEMBLY

SOLENOID VALVE AND DRAG BRAKE



Denotes special service procedures.

SOLENOID VALVE INSTALLATION



Separate the coil from the valve assembly. Insert the valve cartridge into the rear cover and torque to 20ft.Lb.



Slip the coil over the valve.



Place thread locking compound on the post threads and install nut. Torque the nut 4 to 5ft.Lb. max.



Place thread sealant on pipe plugs. Torque 10-16ft.Lb.

DRAG BRAKE ADJUSTMENT



When installing the rear cover be sure to align the roll pins in the drag brake plate with the holes in the rear cover.



After the cover has been attached to the housing insert the springs into the holes.

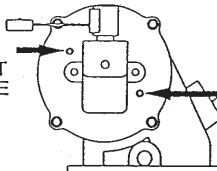


Insert the set screw over the spring and turn the screw seven (7) full turns.

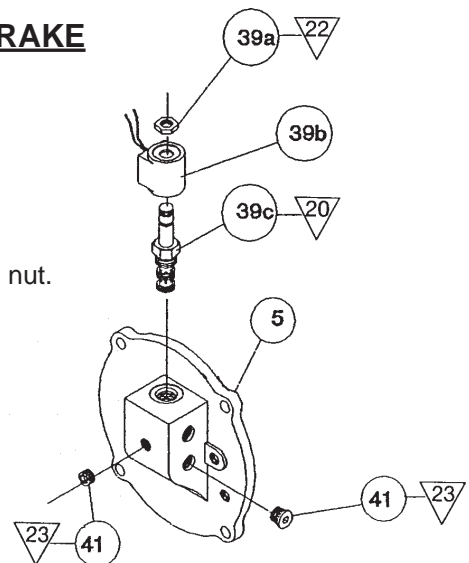


Follow the test and adjustment procedures in the CS series owners manual

SET SCREW
ADJUSTMENT
DRAG BRAKE



SET SCREW
ADJUSTMENT
DRAG BRAKE

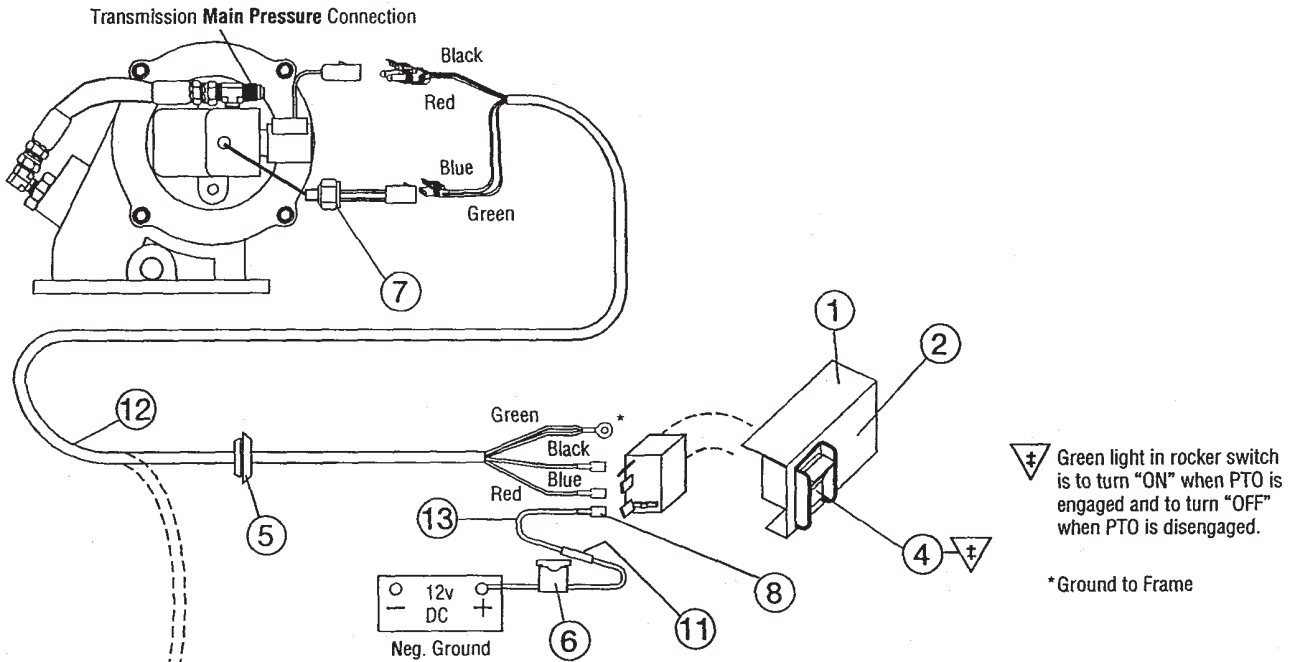


INSTALLATION KITS

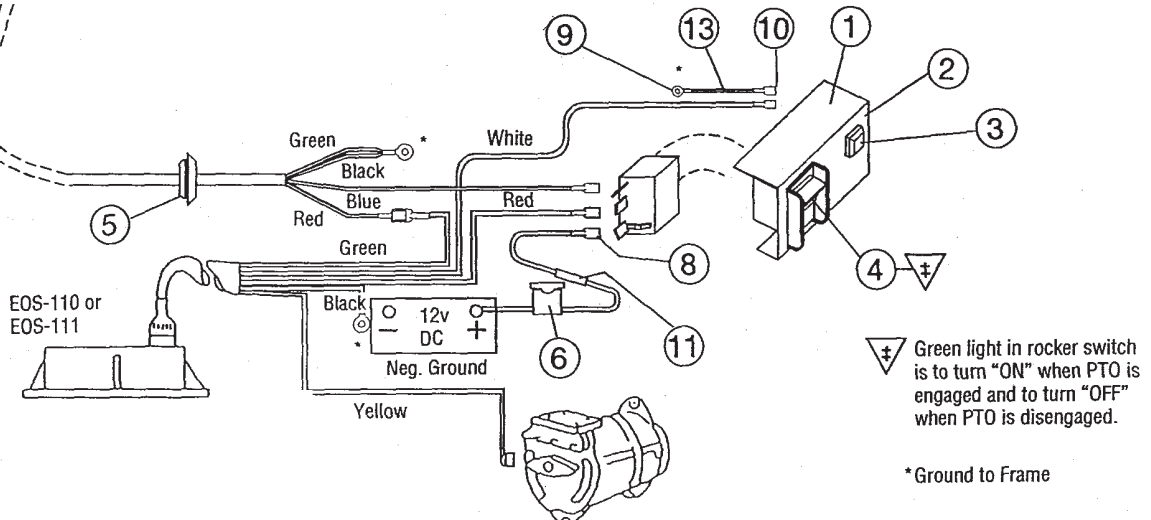
ELEC/HYD SYSTEM - KIT NO. 48TK3882 (12V)

ITEM	QTY	PART NUMBER	DESCRIPTION
		30T36270	Switch Ass'y (Incl 1,2,3,4)
1	1	36MA1005	Switch Bracket
2	1	36M01006	Face Plate For Overspeed Light
		36T36271	Face Plate without light access
3	1	32MSR12V	Light Assembly (12 Volt)
4	1	30T35687	Rocker Switch (12 Volt)
5	1	37T35674	Grommet
6	1	33T36299	Fuse Assembly
7	1	30T36727	Pressure Switch
8	1	34M18250	Female Spade Connector
9	1	34M18009	Ring Terminal
10	2	34M18187	Female Spade Connector
11	1	34M18002	Butt Splice
12	1	34T35872	Wire Harness
13	6	37M18000	Wire
N.S.	1	36MK1007	Bolt Kit (Incl w/30T36270+30T36453)

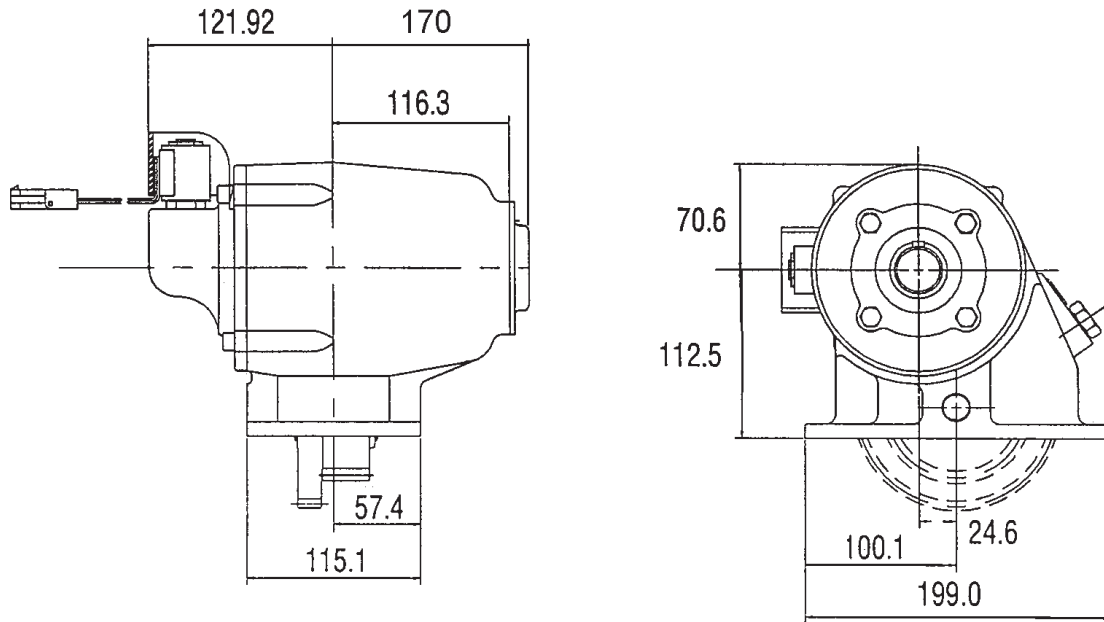
ITEM	QTY	PART NUMBER	DESCRIPTION
For 24V Option Kit No. 48TK3891 Substitute:			
		30T36453	Switch Ass'y (Incl. 1&2 above and 3&4 below)
3	1	32MSR24V	Light Assembly (24 Volt)
4	1	30T35712	Rocker Switch (24 Volt)



CIRCUIT INSTALLATION WHEN USED WITH OVERSPEED SWITCH



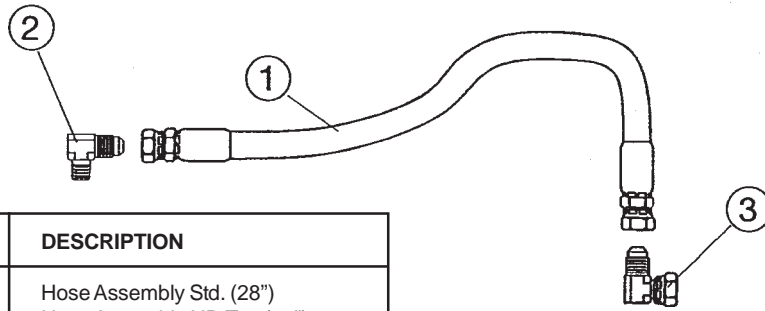
DIMENSIONS



MOUNTING KITS

INSTALLATION HOSE KITS

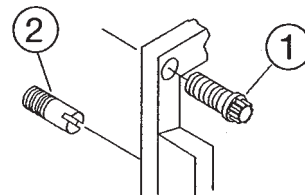
43TK3881 HOSE KIT (STANDARD) - 43TK3885 HOSE KIT FOR TOP R.S. HD SERIES



ITEM	QTY	PART NUMBER	DESCRIPTION
1	1	45T36274	Hose Assembly Std. (28")
		45T36273	Hose Assembly HD Top (57")
2	1	43M68014	Elbow (Transmission)
3	1	43T36445	Elbow (use as needed) (43TK3881 only)

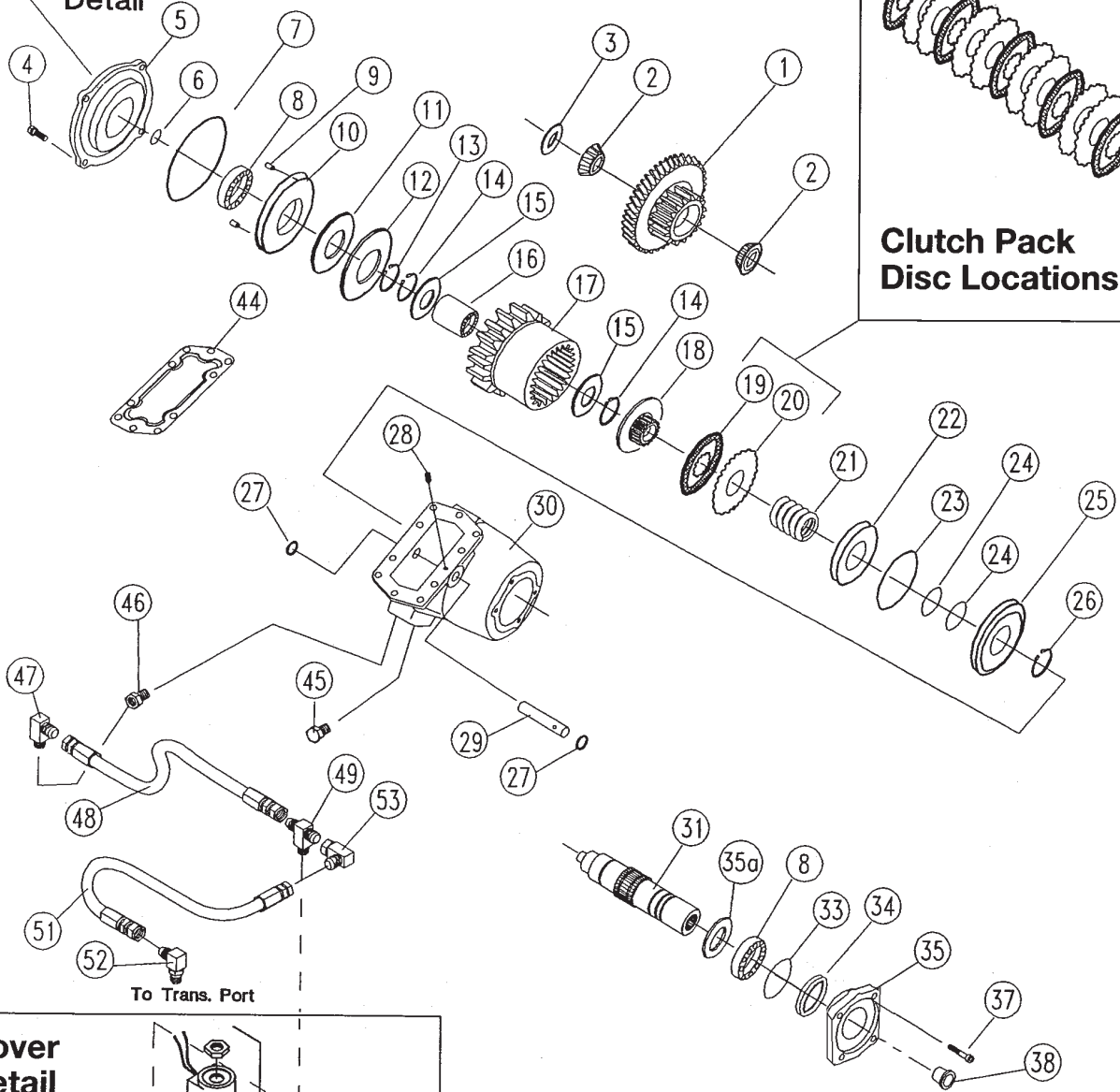
BOLT KIT 20MK1001 BOLT KIT FOR CS20

ITEM	QTY	PART NUMBER	DESCRIPTION
1	8	19T35778	12 Point Capscrew - 30mm
2	2	20T35779	Alignment Stud



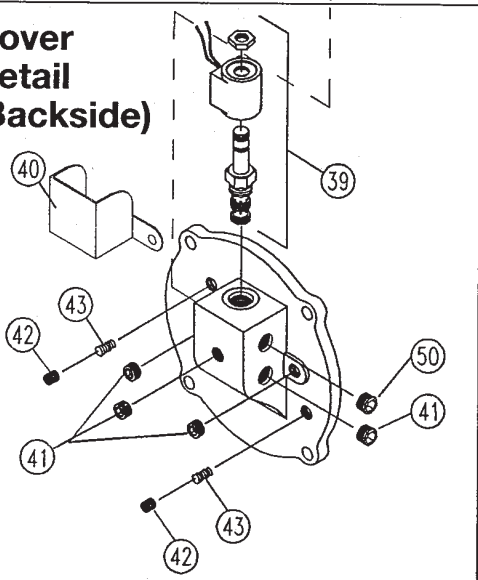
EXPLODED VIEW

See Cover
Detail

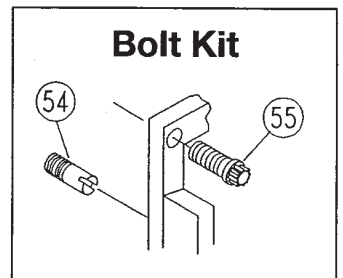


To Trans. Port

**Cover
Detail
(Backside)**



Bolt Kit



PARTS LIST AND DESCRIPTION

ITEM	QTY	PART NUMBER	DESCRIPTION	ITEM	QTY	PART NUMBER	DESCRIPTION
1	1	03T35752	Input Gear (05) (50T/21T)	39	1	35T36092	Solenoid12v
		03T35755	Input Gear (07) (50T/34T)			35T36447	Solenoid 24v
2	2	10T35776	Input Bearing	40	1	49T36539	Protector
3	1	18T35781	Shim (.122/.125)	41	4	25T21684	Pipe Plug
		18T35782	Shim (.117/.120)	42	2	19T36174	Set Screw
		18T35783	Shim (.112/.115)	43	2	27T36173	Spring
4	4	19T35237	Capscrew	44	1	13T35777	Gasket
5	1	15T36506	Bearing Cover, Closed	45	1	25T35999	Plug
6	1	12T36081	O-Ring	46	1	25T35784	Orifice
7	1	12T36197	O-Ring	47	1	43T35867	Elbow
8	2	10T21017	Bearing	48	1	45T36308	Hose
9	2	26T36175	Roll Pin	49	1	43T36231	Teel
10	1	21T36473	Plate	50	1	25T36726	Plug
11	1	21T36511	Thrust Washer				
12	1	21T36512	Plate			43TK3881	Standard Hose Kit
13	1	24T27240	Snap Ring			43TK3885	HD For R.S. Installation
14	2	24T35480	Snap Ring	51	1	45T36274	Hose (Std 28")
15	2	21T29017	Thrust Race			45T36273	Hose (HD R.S. 57")
16	1	10T36285	Bearing	52	1	43M68014	Elbow
17	1	02T39319	Bell Gear 05(38T)	53	1	43T36445	Elbow (Use as needed)
		02T36467	Bell Gear 07(34T)				
18	1	02T35454	Clutch Hub			20MK1001	Mounting Bolt Kit
19	5	49T33546	Friction Disc	54	2	20T35779	Alignment Stud
20	8	49T33563	Spacer Disc	55	8	19T35778	12Pt. Capscrew (30mm)
21	1	27T36112	Spring				
22	1	49T36463	Piston	N.S.	1	48TK3900	Installation Kit (12v) Incl:
23	1	12T36472	O-Ring				Shift Kit, Gasket Pack, Stud Kit,
24	2	12T36471	O-Ring				Std. Hose Kit
25	1	49T36464	Piston Cup				
26	1	24T36470	Snap Ring			48TK3901	Installation Kit (24v) Incl:
27	2	12T35774	O-Ring				Shift Kit, Gasket Pack, Stud Kit,
28	1	19T35785	Set Screw				Std. Hose Kit
29	1	07T35780	Idler Shaft				
30	1	01T36510	Housing	N.S.	1	SKPT045	Gasket Kit Incl: (1)6, (1)7, (1)22,(2)25,
31	1	06T36ISO	Output Shaft ('I' Only)				(1)32, (1)33, (1)46
33	1	12T36751	O-Ring				
34	1	11T36553	Seal	N.S.	1	CS12-RBK	Rebuild Kit Incl: (2)2, (1)3, (1)6, (1)7, (2)8,
35	1	14T36ISO	Hyd Flange ('I' Only)				(1)11, (1)13, (2)14, (2)15, (1)16, (5)19,(8)20,
35a	1	28T36ISO	Spacer ('I' Only)				(1)21, (1)23, (2)24, (1)26, (2)27, (1)33, (1)34,
37	1	19M84ISO	Socket Capscrew ('I' Only)				(2)43, (1)44, (1) 12TK3902

PLEASE NOTE: Some items listed are "SPECIAL ORDER ONLY".
Some components available in kit form only.
For more information please contact the Technical Department at MEGA Pacific