



HYDRAULIC COMPONENTS & POWER TAKE OFFS



AIR CLUTCH 3510530000

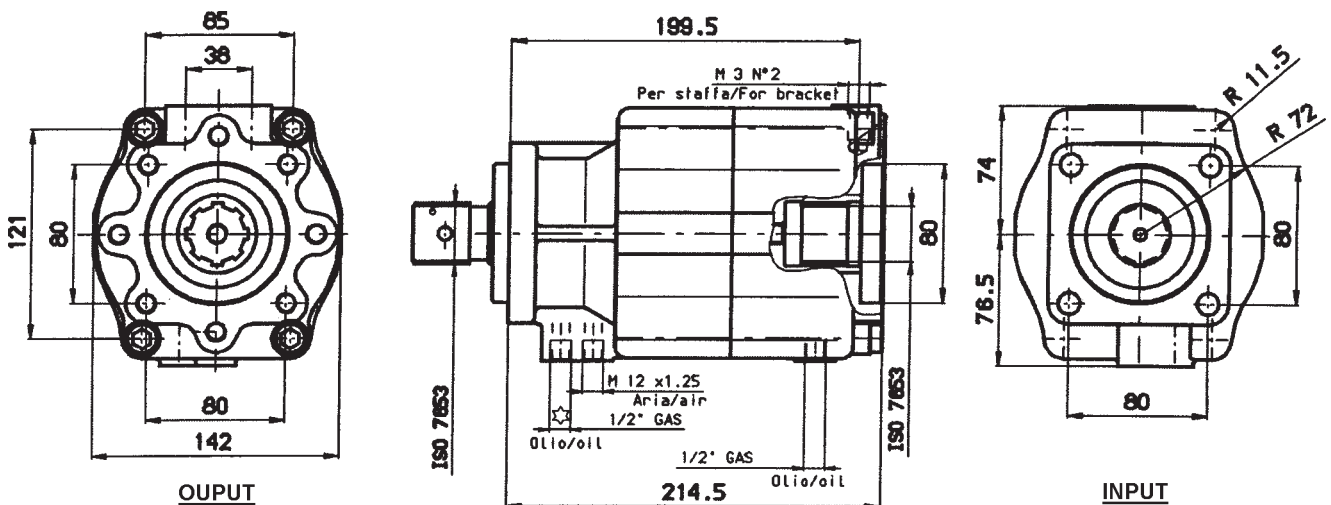
- ✓ Direct mount to all ISO 4 Bolt PTO's
- ✓ In built oil pump
- ✓ Compact design
- ✓ "Plug In" to ISO STD engine PTO's
- ✓ Oil cooled*

Note: Air clutch 3510680000, with alloy body, is not longer manufactured. The cast steel body 3510530000 is an identical replacement.

Note: Where the clutch is connected to a main hydraulic reservoir for cooling, standard hydraulic mineral oil or ATF is acceptable.

Max. Torque (Kgm):	40
Max. engagement RPM:	1000RPM
Max. engaged RPM	3200RPM
Max. full load RPM	2500RPM
Internal Ratio:	1:1
Oil Grade:	SAE 20 Minimum SAE 40 Maximum
Suggested Oil:	Castrol TFC410 or Equiv.
Recommended Tank Size:	15 Litres
Weight (kg):	22

DIMENSIONS



*Tank and hose kit in not included



HYDRAULIC COMPONENTS & POWER TAKE OFFS

OUTPUT OPTIONS

ISO 4 BOLT PUMP MOUNT - 205X0870000

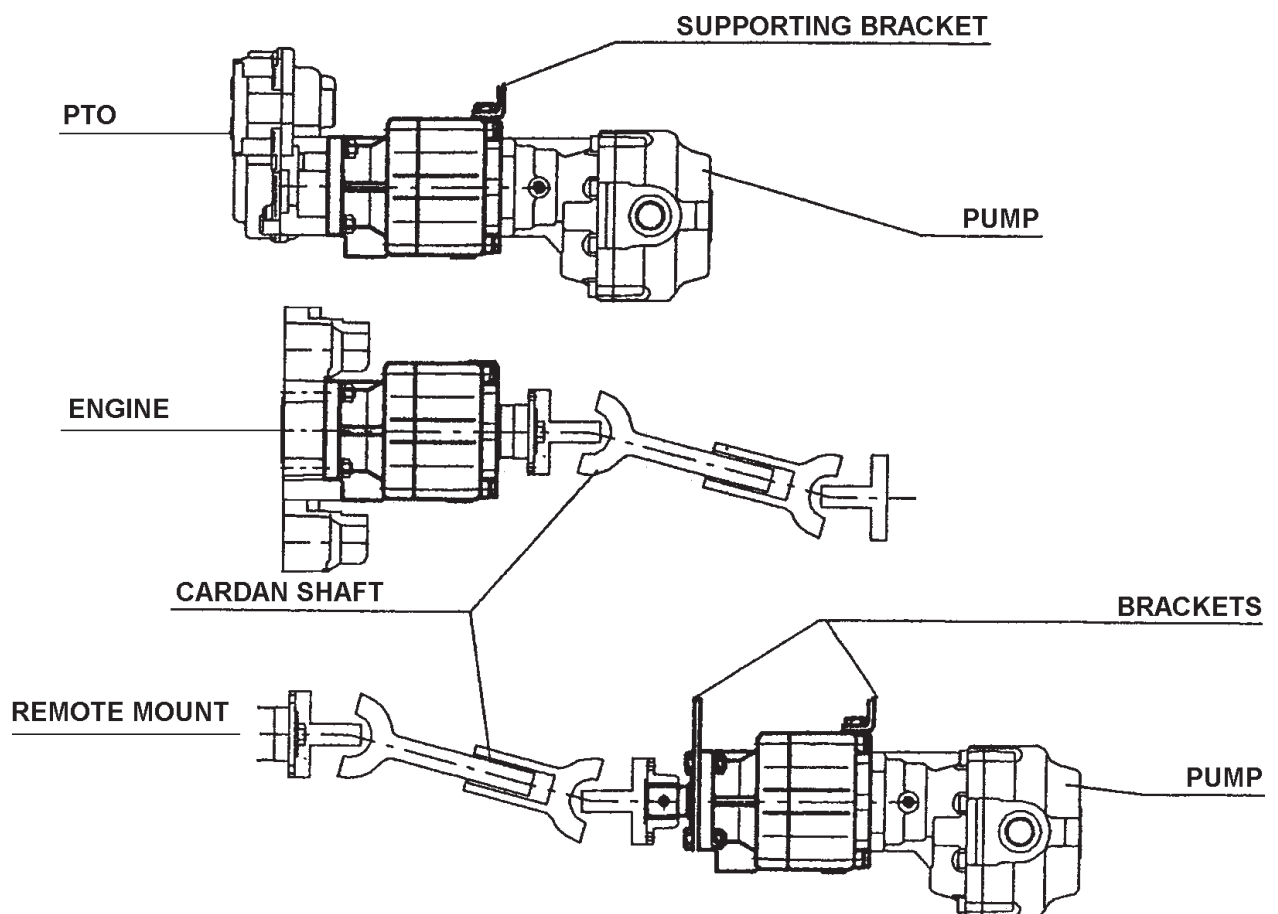
3 BOLT PUMP MOUNT - 205A6160000

FLANGE K1300 - 205F3230000

REMOTE MOUNT

INPUT FLANGE K1400 - LS024

INSTALLATION OPTIONS

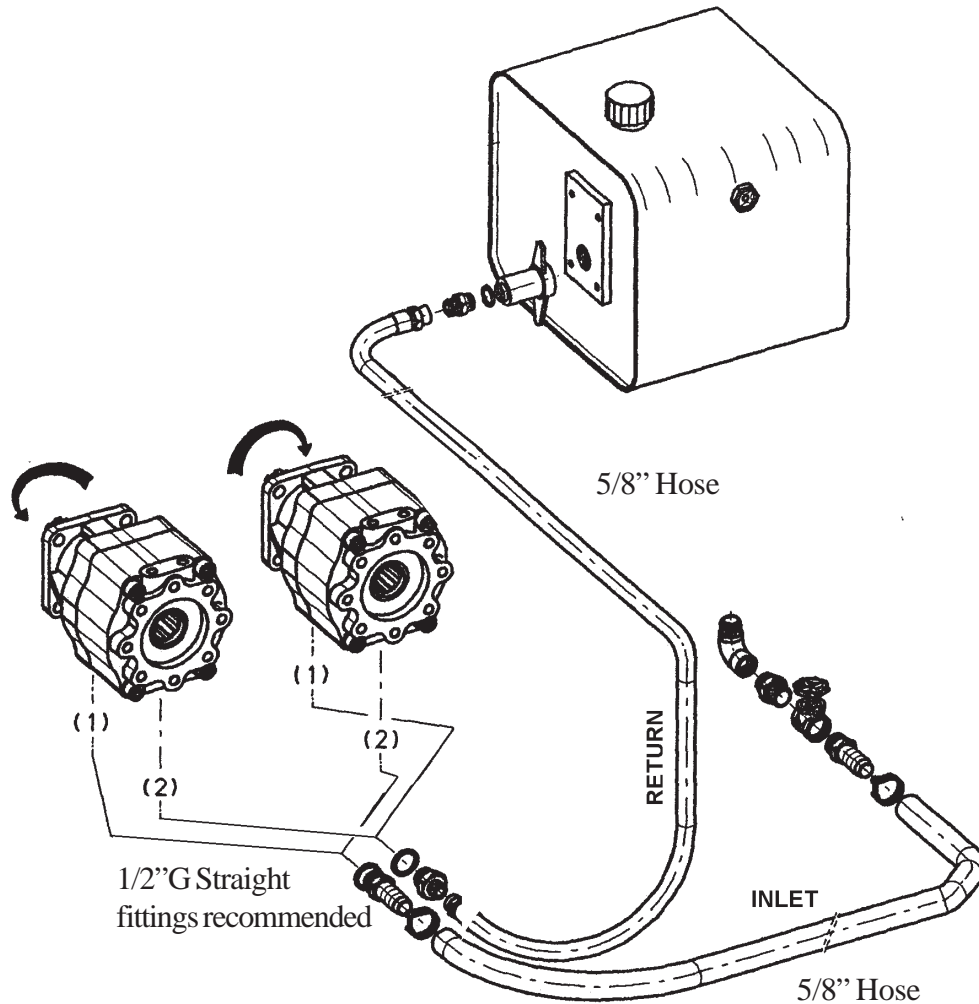




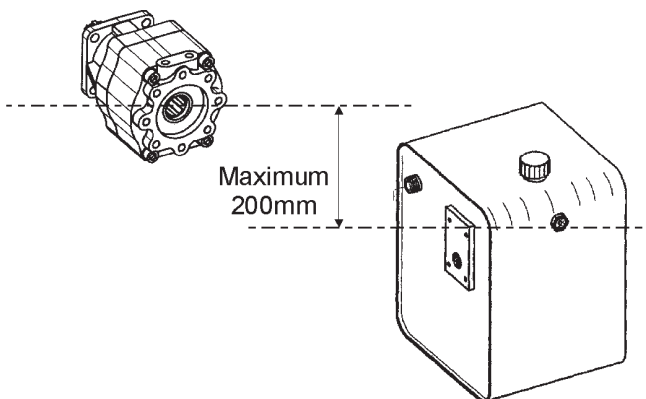
HYDRAULIC COMPONENTS & POWER TAKE OFFS

INSTALLATION INSTRUCTIONS

Connect oil inlets (1) and (2) to main hydraulic tank, use hose with minimum internal diameter of 5/8". If the system is not equipped with a main oil tank for other use, a metal oil tank with a minimum capacity of 15 lt. must be used.

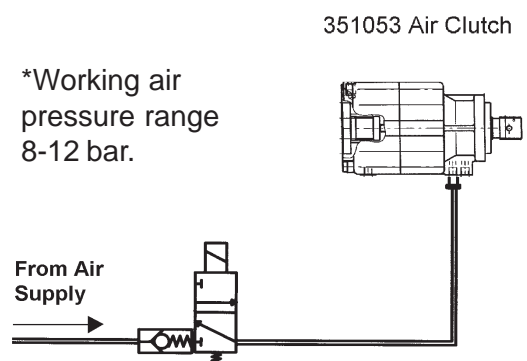


OIL COOLING SET UP



Note: Centre line of clutch must not be mounted more than 200mm above the minimum oil level of the tank

AIR SUPPLY SET UP



Note: Air pressure integrity must be assured to transmit loads **WITHOUT** clutch slippage.



HYDRAULIC COMPONENTS & POWER TAKE OFFS

SPARE PARTS

OPTIONS

TANK KIT



CODE	CAPACITY	DIMENSIONS
216059AP20	15lts	450(L) X 250(B) X 230(W)

AIR KIT



CODE	VOLTAGE	DESCRIPTION
EAC007-12V	12V	Clutch Engagement with positive pressure retention
EAC007-24V	24V	Clutch Engagement with positive pressure retention

HOSE KIT (HKAC001)



CODE	QTY	DESCRIPTION
PL18	4	1/2" push on hose
HES12PM120PO	1	1/2"BSPT male 1/2" push on hose
HES12BSPFM12PO	1	1/2"BSP FM 90 1/2" push on hose end
HER12P12PO	2	1/2"BSP FM 90 1/2" push on hose end
NIP12P12P	2	Nipple 1/2" BSPP to 1/2"BSPP
RED34P12P	1	Reducer 3/4"X1/2" BSPP
DW12	2	Dowty washer 1/2"
DW34	1	Dowty washer 3/4"